

# CPRT115G

Product Family	Drawer
Commercial height	14 cm
Type	Reheat



## Aesthetics

Aesthetic	Linea	Material	Painted material
Colour	Neptune Grey	Logo	Silk screen
Finishing	Neptune Grey	Logo position	External

## Controls

Display	Yes	Type of temperature control	Electronic
Type of control setting	Digi Touch		

## Programs / Functions

Defrost	Yes
Proofing	Yes
Low temperature cooking	Yes
Sabbath Mode	Yes
Mug warmer	Yes
Keep warm	Yes
Dish warmer	Yes
Reheating	Yes
Timer	Yes
Delay Timer	Yes

## Technical Features

Opening mechanism	Push-pull	Capacity	21 l
-------------------	-----------	----------	------

---

<b>Base material</b>	Stainless steel	<b>Type of heating</b>	Fan assisted
<b>Max weight allowance</b>	15 kg	<b>Accessories included</b>	Silicone antislip mat
<b>Maximum drawer loading weight</b>	85 kg		

## Electrical Connection

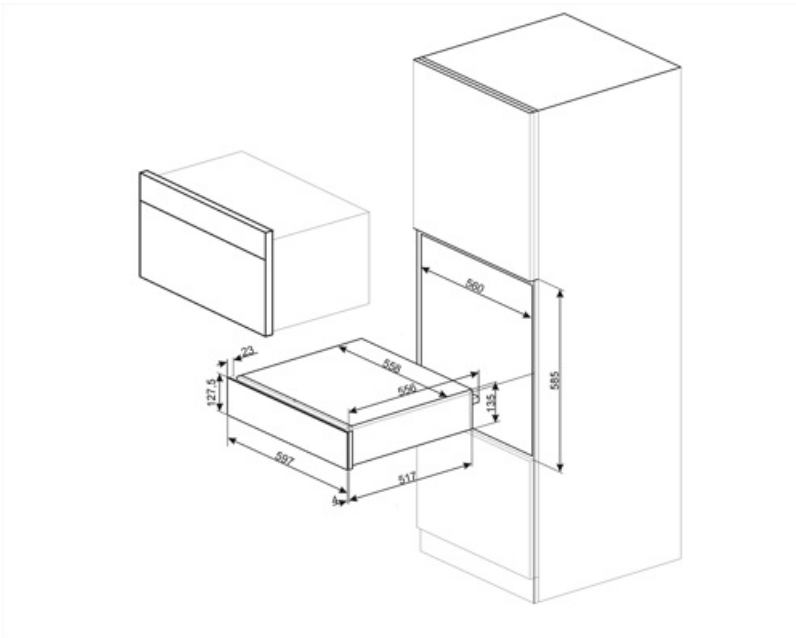
---

<b>Plug</b>	(F;E) Schuko	<b>Voltage (V)</b>	220-240 V
<b>Nominal power</b>	500 W	<b>Frequency (Hz)</b>	50-60 Hz
<b>Current</b>	2 A		

## Logistic Information

---

<b>Width (mm)</b>	597 mm	<b>Product Height (mm)</b>	135 mm
<b>Depth (mm)</b>	538 mm		



---

## Not included accessories

---

**KITCABLE90UK**

Cable with IEC connector and UK plug

## Benefit (TT)

---

### **Steel base**

Presence of non-slip silicone mat; removable and useful for placing dishes without them slipping, to avoid soiling the base of the drawer and to prevent scratches.

### **Push-pull door opening**

With a simple push, the drawer opens and then closes again by pushing it back.

### **Functions and programmes available**

Functions: keep warm, low temperature cooking, reheating, defrost, dish warmer, proofing, mug warmer, sabbath mode. Further possible functions: yoghurt and drying by following the instruction manual.

### **LED display**

White LED display; Temperature can be adjusted by 5°, from 30° to 85°.

### **Timer and Delay Timer**

### **Sabbath Mode**

Function that allows food to be cooked in accordance with the provisions of the Jewish religious holiday of rest.