

CPRT115G

Product Family	Drawer
Commercial height	14 cm
Type	Reheat



Aesthetics

Aesthetic	Linea	Material	Painted material
Colour	Neptune Grey	Logo	Silk screen
Finishing	Neptune Grey	Logo position	External

Controls

Display	Yes	Type of temperature control	Electronic
Type of control setting	Digi Touch		

Program / Functions

Defrost	Yes
Proofing	Yes
Low temperature cooking	Yes
Sabbath Mode	Yes
Mug warmer	Yes
Keep warm	Yes
Dish warmer	Yes
Reheating	Yes
Timer	Yes
Delay Timer	Yes

Technical Features

Opening mechanism	Push-pull	Capacity	21 l
-------------------	-----------	----------	------

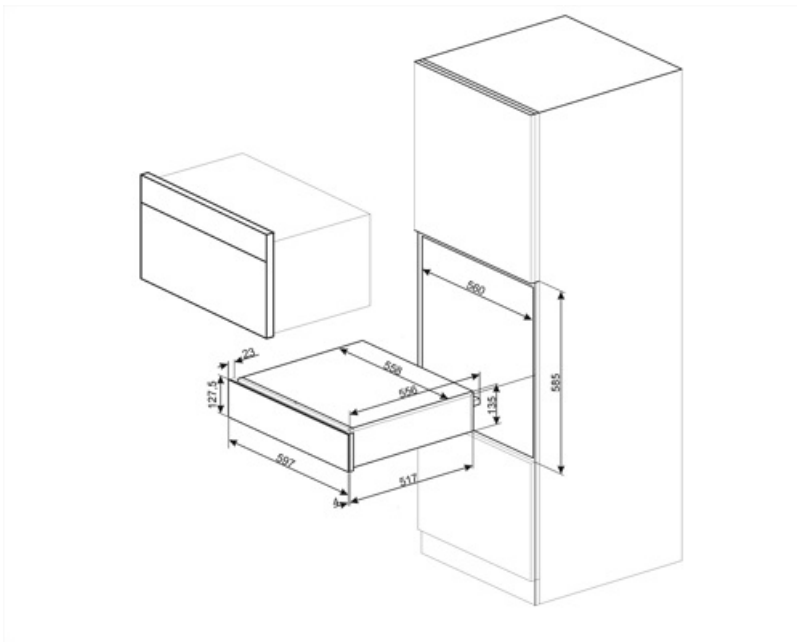
Base material	Stainless steel	Type of heating	Fan assisted
Max weight allowance	15 kg	Accessories included	Silicone antislip mat
Maximum drawer loading weight	85 kg		

Electrical Connection

Plug	(F;E) Schuko	Voltage (V)	220-240 V
Nominal power	500 W	Frequency (Hz)	50-60 Hz
Current	2 A		

Logistic Information

Width (mm)	597 mm	Product Height (mm)	135 mm
Depth (mm)	538 mm		



Compatible Accessories

KITCABLE90UK

Cable with IEC connector and UK plug