

# CPRT615NR

Product Family	Drawer
Commercial height	14 cm
Type	Reheat



## Aesthetics

Aesthetic	Dolce Stil Novo	Glass type	Eclipse
Colour	Black	Front panel	With horizontal strip
Acabamento	Glossy black	Logotipo	Logotipo serigrafado
Component finishing	Copper	Localização do logotipo	Logotipo no interior
Material	Glass		

## Controls

Display	Yes	Type of temperature control	Electronic
Type of control setting	Digi Touch		

## Program / Functions

Defrost	Yes
Proofing	Yes
Defrost	Yes
Sabbath Mode	Yes
Mug warmer	Yes
Keep warm	Yes
Dish warmer	Yes
Reheating	Yes
Timer	Yes
Timer	Yes

## Technical Features

---

<b>Opening mechanism</b>	Push-pull	<b>Capacity</b>	21 l
<b>Base material</b>	Stainless steel	<b>Tipo de aquecimento</b>	Ventilacao
<b>Max weight allowance</b>	15 kg	<b>Accessories included</b>	Silicone antislip mat
<b>Maximum drawer loading weight</b>	85 kg		

## Electrical Connection

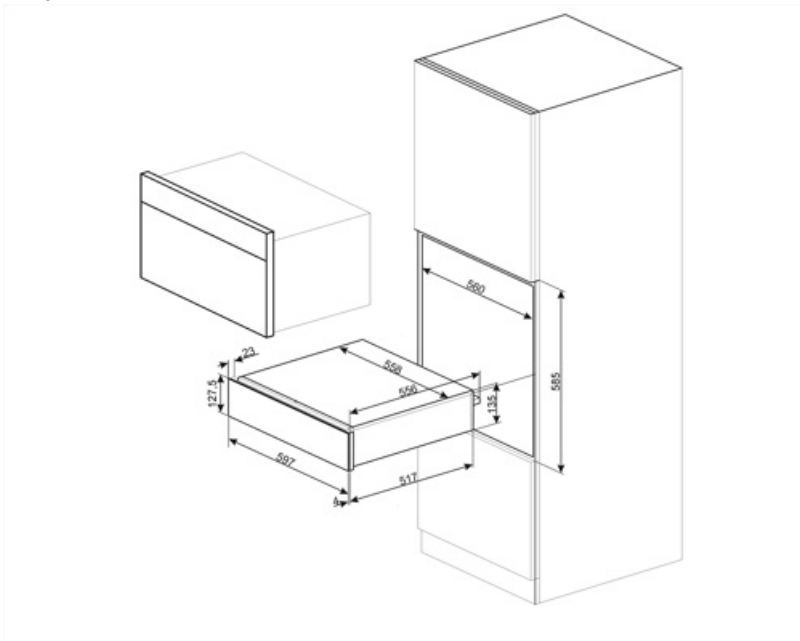
---

<b>Plug</b>	(F;E) Schuko	<b>Voltage (V)</b>	220-240 V
<b>Nominal power</b>	500 W	<b>Frequency (Hz)</b>	50-60 Hz
<b>Current</b>	2 A		

## Logistic Information

---

<b>Width (mm)</b>	597 mm	<b>Product Height (mm)</b>	135 mm
<b>Depth (mm)</b>	538 mm		



---

## Compatible Accessories

---

**KITCABLE90UK**

Cabo com conector IEC e plugue RU

## Benefit (TT)

---

### LED display

White LED display; Temperature can be adjusted by 5°, from 30° to 85°.

### Steel base

Presence of non-slip silicone mat; removable and useful for placing dishes without them slipping, to avoid soiling the base of the drawer and to prevent scratches.

### Push-pull door opening

With a simple push, the drawer opens and then closes again by pushing it back.

### Timer and Delay Timer

### Sabbath Mode

Function that allows food to be cooked in accordance with the provisions of the Jewish religious holiday of rest.

### Functions and programmes available

Functions: keep warm, low temperature cooking, reheating, defrost, dish warmer, proofing, mug warmer, sabbath mode. Further possible functions: yoghurt and drying by following the instruction manual.