

CPRU315X

Product Family	Drawer
Commercial height	14 cm
Type	Reheat



Aesthetics

Aesthetic	Classica	Type of steel	Brushed
Colour	Stainless steel	Logo	Embossed
Finishing	Fingerproof	Logo position	External
Material	Stainless steel		

Controls

Type of control setting	Control knobs	Control knobs	Standard
Type of temperature control	Electro-mechanic	Controls colour	Steel effect
No. of controls	1		

Program / Functions

Defrost	Yes
Proofing	Yes
Mug warmer	Yes
Keep warm	Yes
Dish warmer	Yes
Reheating	Yes

Technical Features

Opening mechanism	Push-pull	Type of heating	Fan assisted
Base material	Stainless steel	Minimum temperature	30 °C
Max weight allowance	15 kg	Maximum temperature	80 °C

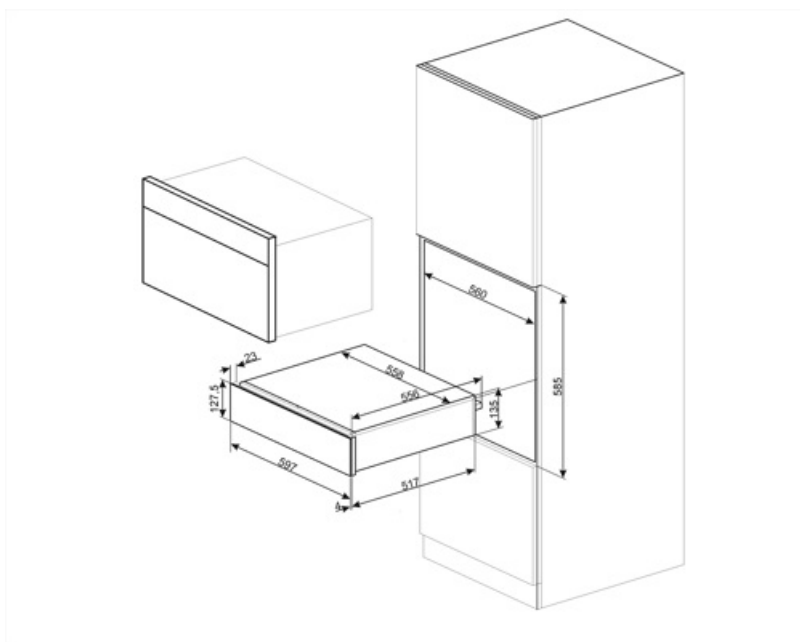
Maximum drawer loading weight	85 kg	Accessories included	Silicone antislip mat
Capacity	21 l		

Electrical Connection

Plug	(B) USA 120V	Voltage (V)	110 V
Nominal power	400 W	Frequency (Hz)	50-60 Hz
Current	2 A		

Logistic Information

Width (mm)	23 1/2 "	Product Height (mm)	5 5/16 "
Depth (mm)	21 3/16 "		



Symbols glossary



Fingerprint proof stainless steel: Fingerprint proof stainless steel keeps stainless steel looking as good as new.