

# CPRU315X

Product family	Drawer
Commercial height	14 cm
Type	Warming drawer



## Aesthetic

Aesthetics	Classic	Stainless steel type	Brushed
Color	Stainless steel	Logo	Embossed
Finishing	Fingerprint-proof	Logo position	External
Material	Stainless steel		

## Controls

Control setting type	Control knobs	Control knobs	Standard
Type of temperature control	Electro-mechanic	Control color	Stainless steel effect
No. of controls	1		

## Programs / Functions

Defrost	Yes
Proof	Yes
Mug warmer	Yes
Keep warm	Yes
Dish warmer	Yes
Warming drawer	Yes

## Technical Features

Opening mechanism	Push-pull	Capacity	21 l
Base material	Stainless steel	Type of heating	Fan-assisted
Max weight allowance	15 kg		

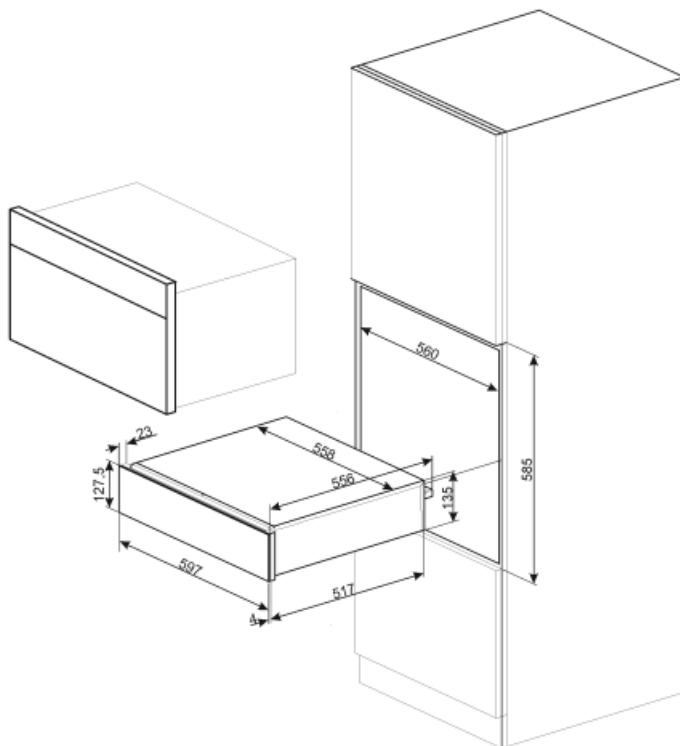
<b>Maximum drawer loading weight</b>	85 kg	<b>Included accessories</b>	Silicone antislip mat
--------------------------------------	-------	-----------------------------	-----------------------

## Electrical Connection

<b>Plug</b>	(B) USA 120V	<b>Voltage</b>	110 V
<b>Nominal power</b>	400 W	<b>Frequency (Hz)</b>	50-60 Hz
<b>Current</b>	2 A		

## Logistic Information

<b>Width</b>	23 1/2 "	<b>Height</b>	5 5/16 "
<b>Depth</b>	21 3/16 "		



## Benefit (TT)

---

### Functions available

Functions can be selected directly from the knob: keep warm, reheating, defrost, dish warmer, proofing and mug warmer

### Steel base

Presence of non-slip silicone mat; removable and useful for placing dishes without them slipping, to avoid soiling the base of the drawer and to prevent scratches.

### Push-pull door opening

With a simple push, the drawer opens and then closes again by pushing it back.