

# CPRU330X

Product family	Drawer
Commercial height	26 cm
Type	Warming drawer



## Aesthetic

Aesthetics	Classic	Stainless steel type	Brushed
Color	Stainless steel	Handle	Classic
Finishing	Fingerprint-proof	Logo	Silkscreened
Material	Stainless steel	Logo position	Inside

## Controls

Control setting type	Control knobs	Control knobs	Standard
Type of temperature control	Electro-mechanic	Control color	Stainless steel effect
No. of controls	1		

## Program / Functions

Defrost	Yes
Proof	Yes
Mug warmer	Yes
Keep warm	Yes
Dish warmer	Yes
Warming drawer	Yes

## Technical Features

Opening mechanism	With handle	Type of heating	Fan-assisted
Base material	Stainless steel	Minimum Temperature	86 °F
Max weight allowance	33 lbs	Maximum temperature	80 °F

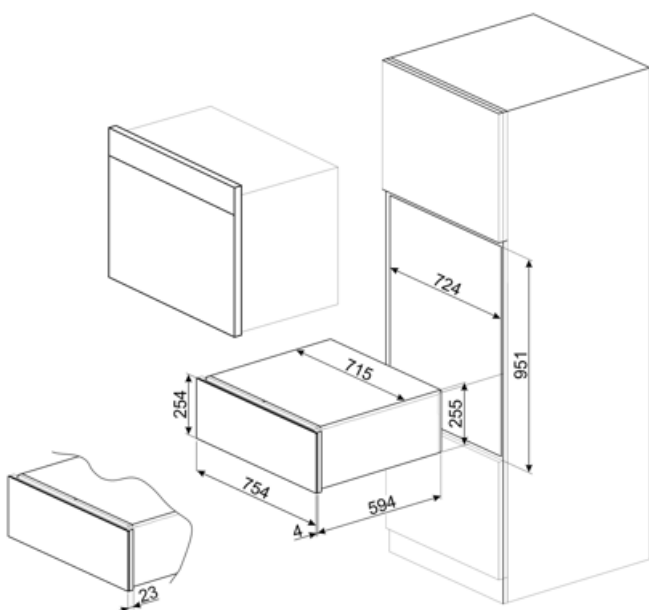
Maximum drawer loading weight	518 lbs	Included accessories	Rack, Silicone antislip mat
Capacity	56 l		

## Electrical Connection

Plug	(B) USA 120V	Voltage	115 V
Nominal power	800 W	Frequency (Hz)	60 Hz
Current	7 A		

## Logistic Information

Width	28 1/8 "	Height	10 1/16 "
Depth	24 7/16 "		



## Symbols glossary

---



Fingerprint proof stainless steel: Fingerprint proof stainless steel keeps stainless steel looking as good as new.