

CPS615NR

| | |
|-------------------|-----------|
| Product Family | Drawer |
| Commercial height | 14 cm |
| Type | Sommelier |



Aesthetics

| | | | |
|---------------------|-----------------|---------------|-----------------------|
| Aesthetic | Dolce Stil Novo | Material | Glass |
| Colour | Black | Glass type | Eclipse |
| Finishing | Glossy black | Front panel | With horizontal strip |
| Component finishing | Copper | Logo position | Inside |

Technical Features

| | | | |
|----------------------|-----------------|-------------------------------|---|
| Opening mechanism | Push-pull | Maximum drawer loading weight | 85 kg |
| Base material | Stainless steel | Accessories included | Slavonia durmast wooden shelf, Wine pump, 2 corks, Sparkling wines cork, Cork to pour wine, Anti-drip cork, Solid steel cork for sparkling wines, Champagne/ sparkling wine pliers, Corkscrew sommelier, Red wines cork, Wine thermometer with slipcase, Wine funnel with wooden handle |
| Max weight allowance | 15 kg | | |

Electrical Connection

| | |
|------|-------------|
| Plug | Not present |
|------|-------------|

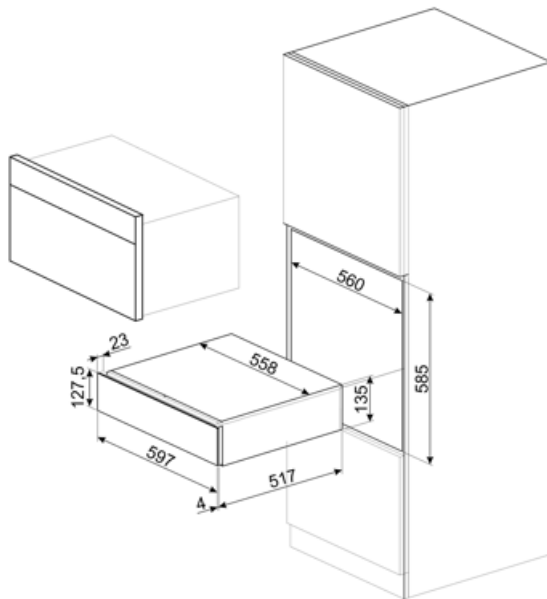
Logistic Information

Width (mm)
Depth (mm)

597 mm
538 mm

Product Height (mm)

135 mm



Benefit (TT)

Push-pull door opening

With a simple push, the drawer opens and then closes again by pushing it back.