

CR129S

Product Family	Drawer
Commercial height	29 cm
Type	Reheat



Aesthetics

Aesthetic	Linea	Front panel	Full glass
Colour	Silver	Handle	Linea
Acabamento	Silver	Logotipo	Logotipo serigrafado
Material	Glass	Localização do logotipo	Logotipo no interior
Type of steel	Brushed		

Controls

Display	No	Design dos comandos	Comandos Standard
Type of control setting	Control knobs	Controls colour	Steel effect
No. of controls	1		

Program / Functions

Defrost	Yes
Proofing	Yes
Mug warmer	Yes
Keep warm	Yes
Dish warmer	Yes
Reheating	Yes
Timer	No

Technical Features

Opening mechanism	With handle	Capacity	51 l
-------------------	-------------	----------	------

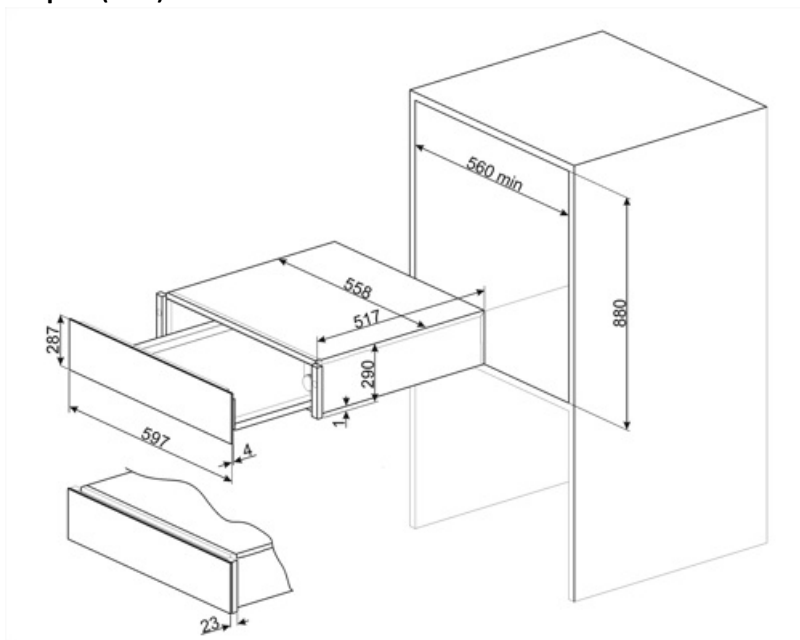
Base material	Stainless steel	Tipo de aquecimento	Ventilacao
Max weight allowance	15 kg	Accessories included	Silicone antislip mat
Maximum drawer loading weight	85 kg		

Electrical Connection

Plug	(F;E) Schuko	Voltage (V)	220-240 V
Nominal power	400 W	Frequency (Hz)	50-60 Hz
Current	2 A		

Logistic Information

Width (mm)	597 mm	Product Height (mm)	290 mm
Depth (mm)	538 mm		



Benefit (TT)

Steel base

Presence of non-slip silicone mat; removable and useful for placing dishes without them slipping, to avoid soiling the base of the drawer and to prevent scratches.