

CR329X

Product Family Drawer
 Commercial height 29 cm
 Type Warming/reheat



Aesthetics

Aesthetics	Classic	Type of steel	Brushed
Colour	Stainless steel	Handle	Classic
Finishing	Fingerproof	Logo	Embossed
Material	Stainless steel	Logo position	External

Controls

Type of control setting	Control knobs	Control knobs	Standard
Type of temperature control	Electro-mechanic	Controls colour	Steel effect
No. of controls	1		

Program / Functions

Defrost	Yes
Proofing	Yes
Mug warmer	Yes
Keep warm	Yes
Dish warmer	Yes
Reheating	Yes

Technical Features

Opening mechanism	With handle	Capacity	51 l
Base material	Stainless steel	Type of heating	Fan assisted
Max weight allowance	15 kg		

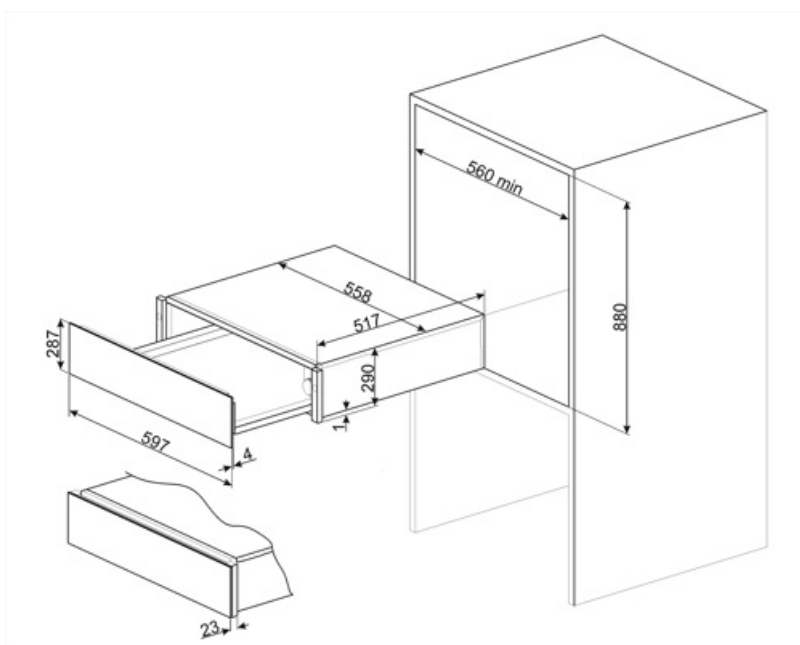
Maximum drawer loading weight	85 kg	Accessories included	Silicon antislip mat
-------------------------------	-------	----------------------	----------------------

Electrical Connection

Plug	(F;E) Schuko	Voltage (V)	220-240 V
Nominal power	400 W	Frequency (Hz)	50-60 Hz
Current	2 A		

Logistic Information

Width (mm)	597 mm	Product Height (mm)	290 mm
Depth (mm)	538 mm		



Symbols glossary



Fingerprint proof stainless steel: Fingerprint proof stainless steel keeps stainless steel looking as good as new.