

CR329X

Product Family	Drawer
Commercial height	29 cm
Type	Reheat



Aesthetics

Aesthetic	Classica	Type of steel	Brushed
Colour	Stainless steel	Handle	Classic
Finishing	Fingerproof	Logo	Embossed
Material	Stainless steel	Logo position	External

Controls

Type of control setting	Control knobs	Control knobs	Standard
Type of temperature control	Electro-mechanic	Controls colour	Steel effect
No. of controls	1		

Program / Functions

Defrost	Yes
Proofing	Yes
Mug warmer	Yes
Keep warm	Yes
Dish warmer	Yes
Reheating	Yes

Technical Features

Opening mechanism	With handle	Type of heating	Fan assisted
Base material	Stainless steel	Minimum temperature	30 °C
Max weight allowance	15 kg	Maximum temperature	80 °C

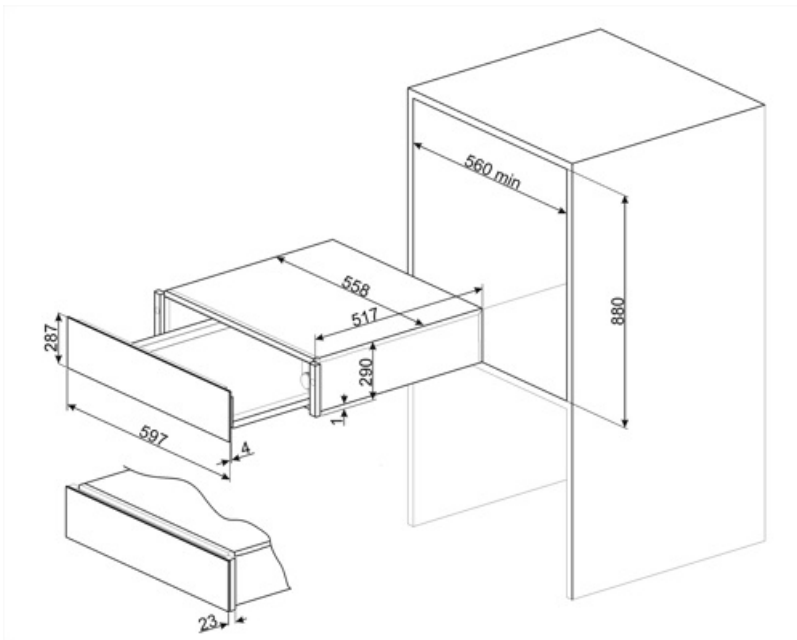
Maximum drawer loading weight	85 kg	Accessories included	Silicone antislip mat
Capacity	51 l		

Electrical Connection

Plug	(F;E) Schuko	Voltage (V)	220-240 V
Nominal power	400 W	Frequency (Hz)	50-60 Hz
Current	2 A		

Logistic Information

Width (mm)	597 mm	Product Height (mm)	290 mm
Depth (mm)	538 mm		



Symbols glossary



Fingerprint proof stainless steel: Fingerprint proof stainless steel keeps stainless steel looking as good as new.