

CR329X

Product Family	Drawer
Commercial height	29 cm
Type	Reheat



Aesthetics

Aesthetic	Classica	Type of steel	Brushed
Colour	Stainless steel	Handle	Classic
Acabamento	Anti-dedadas	Logotipo	Logotipo embutido
Material	Stainless steel	Localização do logotipo	Logotipo exterior

Controls

Display	No	No. of controls	1
Type of control setting	Control knobs	Design dos comandos	Comandos Standard
Type of temperature control	Electro-mechanic	Controls colour	Steel effect

Program / Functions

Defrost	Yes
Proofing	Yes
Mug warmer	Yes
Keep warm	Yes
Dish warmer	Yes
Reheating	Yes
Timer	No

Technical Features

Opening mechanism	With handle	Capacity	51 l
		Tipo de aquecimento	Ventilacao

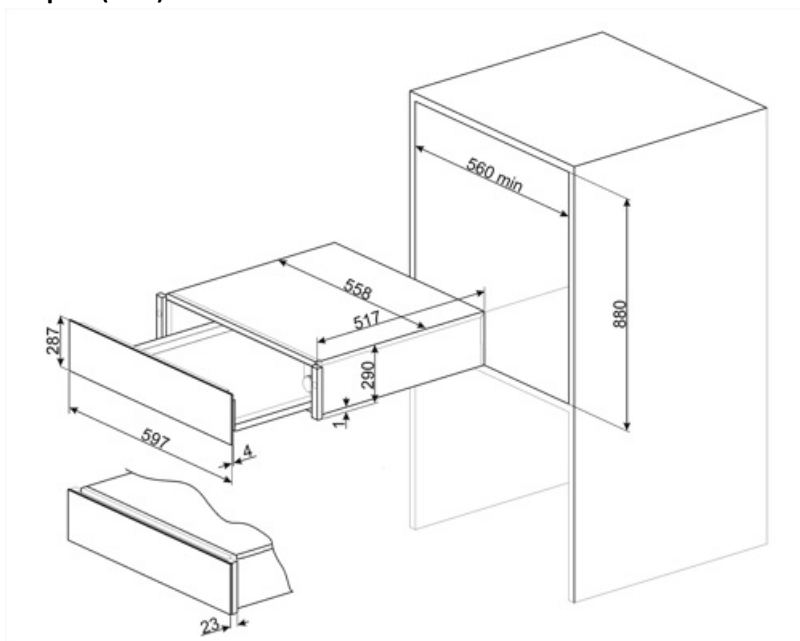
Base material	Stainless steel	Accessories included	Silicone antislip mat
Max weight allowance	15 kg		
Maximum drawer loading weight	85 kg		

Electrical Connection

Plug	(F;E) Schuko	Voltage (V)	220-240 V
Nominal power	400 W	Frequency (Hz)	50-60 Hz
Current	2 A		

Logistic Information

Width (mm)	597 mm	Product Height (mm)	290 mm
Depth (mm)	538 mm		



Symbols glossary



Aço inoxidável à prova de dedadas: O aço inoxidável à prova de dedadas mantém o aço inoxidável com um aspeto novo.

Benefit (TT)

Steel base

Presence of non-slip silicone mat; removable and useful for placing dishes without them slipping, to avoid soiling the base of the drawer and to prevent scratches.

Functions available

Functions can be selected directly from the knob: keep warm, reheating, defrost, dish warmer, proofing and mug warmer