

CT15X

Product Family
Commercial height
Type

Drawer
15 cm
Reheat



Aesthetics

Aesthetic	Classica	Material	Stainless steel
Colour	Stainless steel	Type of steel	Brushed
Finishing	Fingerproof	Handle	Classic

Controls

			
Display	4 digit LED	No. of buttons	3
Type of control setting	Buttons	Buttons colour	Steel effect

Programs / Functions

Defrost	Yes
Keep warm	Yes
Dish warmer	Yes
Reheating	Yes
Timer	Yes

Technical Features

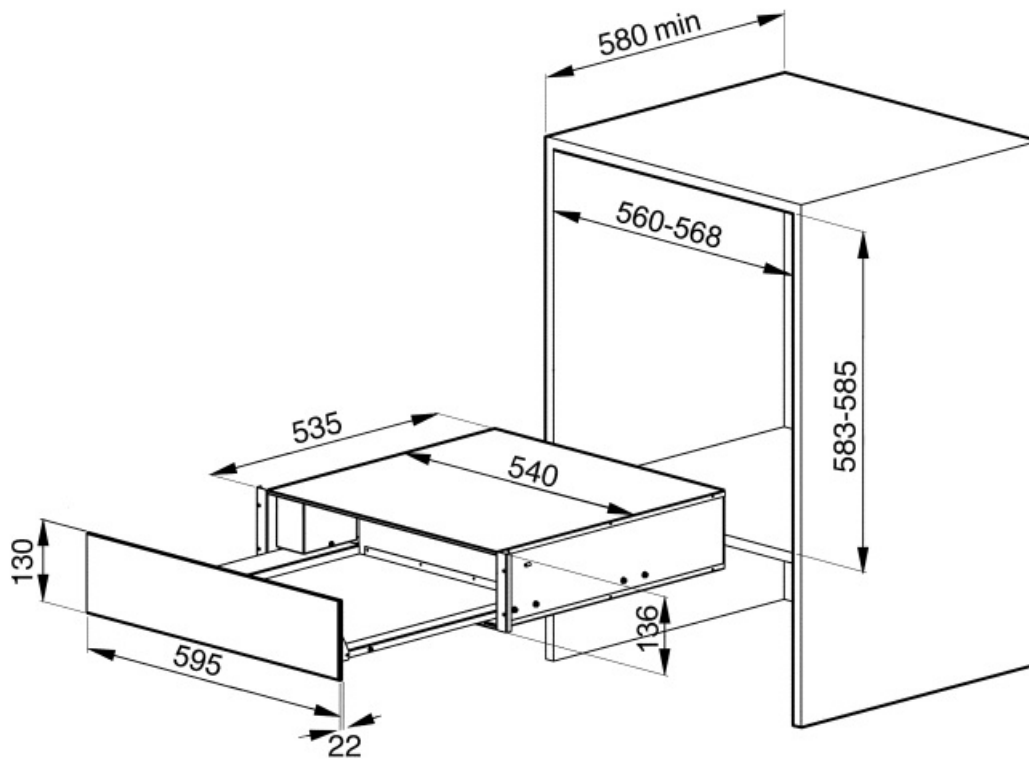
Opening mechanism	With handle	Maximum drawer loading weight	75 kg
Base material	Stainless steel	Capacity	21 l
Max weight allowance	15 kg	Type of heating	Fan assisted

Electrical Connection

Plug	(F;E) Schuko	Voltage (V)	220-240 V
Nominal power	420 W	Frequency (Hz)	50-60 Hz
Current	2 A		

Logistic Information

Width (mm)	597 mm	Product Height (mm)	136 mm
Depth (mm)	538 mm		



Symbols glossary (TT)



LED display: to show programmes, functions and options selected and the time to the end of the cycle.