

CTPU15X

Product Family
Commercial height
Type

Drawer
15 cm
Reheat



Aesthetics

Aesthetic	Classica	Type of steel	Brushed
Colour	Stainless steel	Logo	Embossed
Finishing	Fingerproof	Logo position	External
Material	Stainless steel		

Controls

			
Display	4 digit LED	No. of buttons	3
Type of control setting	Buttons	Buttons colour	Steel effect

Program / Functions

Defrost	Yes
Keep warm	Yes
Dish warmer	Yes
Reheating	Yes
Timer	Yes

Technical Features

Opening mechanism	Push-pull	Capacity	21 l
Base material	Stainless steel	Type of heating	Fan assisted
Max weight allowance	15 kg	Minimum temperature	30 °C
		Maximum temperature	80 °C

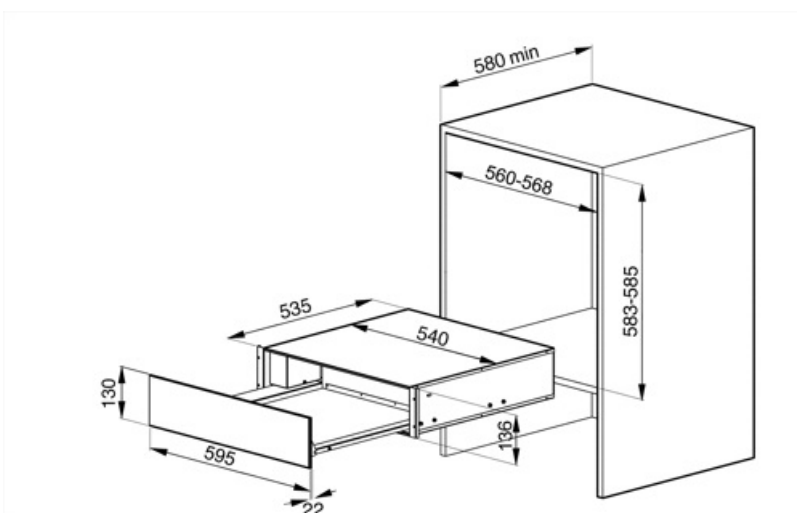
Maximum drawer loading weight 75 kg

Electrical Connection

Plug	(B) USA 120V	Voltage (V)	120 V
Nominal power	420 W	Frequency (Hz)	60 Hz
Current	3,5 A		

Logistic Information

Width (mm)	23 1/2 "	Product Height (mm)	5 5/16 "
Depth (mm)	21 3/16 "		



Symbols glossary



LED display: to show programmes, functions and options selected and the time to the end of the cycle.



Fingerprint proof stainless steel: Fingerprint proof stainless steel keeps stainless steel looking as good as new.