

CVI040BE



Family	Wine Cooler
Installation	Built-in
Built-In Niche	88 cm
Reference width	Until 60
Reference height	Until 100
Defrost	Automatic
Cooling type	Fan assisted
Hinge type	Variable hinge
Hinge position	Right
Reversible door	Yes



Wine cellar compartment features



Number of fixed shelves	1
Number of removable shelves	4
Number of removable and folding shelves	1
No. of lights	4
Shelves material	Wood
Removable shelves on telescopic guide rails	Yes
Type of internal light	Led
Air filter	Activated charcoal filter

Programs/Functions



Control setting	Touch control	Control lock	Yes
Controls	Inner, in the cellar compartment	Lighting forced ON	In a maximum period
Display	LED	Fan forced ON	Yes
Functions display	Temperature alarm, Demo Mode, Temperature value	Temperature Alarm	Yes
Power on lamp	Yes	Door open alarm	Yes

Technical Features



Adjustable temperature zones	2	Number of compressors	1
------------------------------	---	-----------------------	---

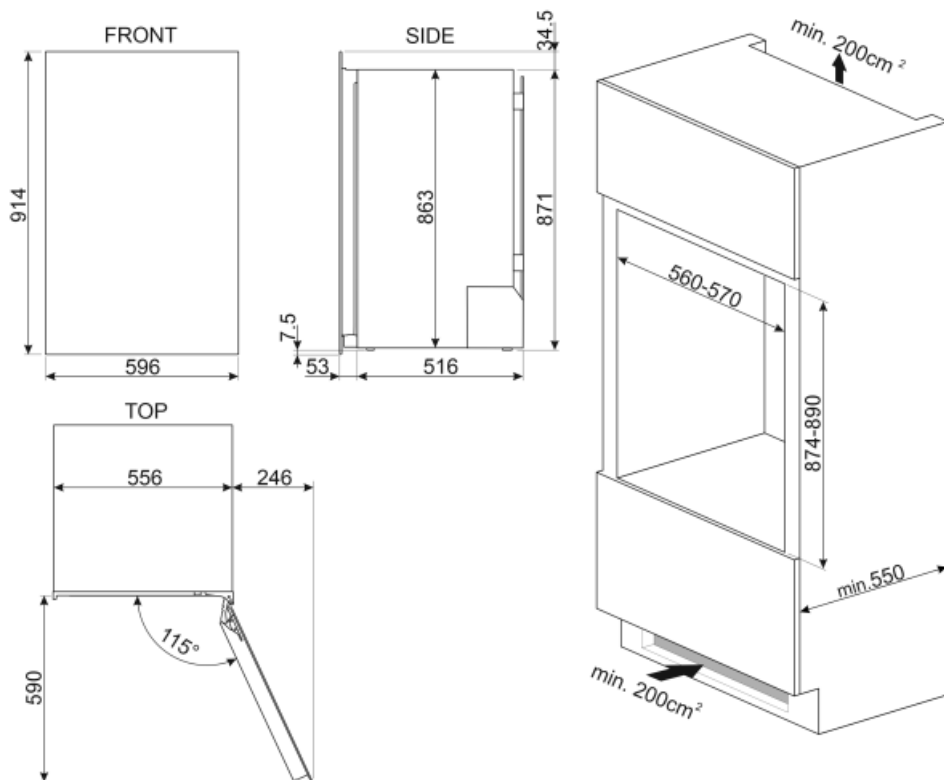
Independent cooling systems	2	Compressor type	Low vibration compressor
Number of door glasses	3	Refrigerant gas type	R600a
Temperature range	5-20 °C	Refrigerant Quantity (gr)	26 g
Type of temperature control	Electronic	Foam agent	HFO
Anti-UV door glass	Yes	Metal panel on the back of the fridge	Metal
Integrated heating element	Yes	Door opening type	With E MOTION electronic opening system

Performance / Energy Label NEW 2019

Max Capacity (bottles 0,75lt)	40	Sum of the volumes of the chill compartment(s) and the unfrozen compartment(s)	126 l
Annual energy consumption	147 kWh/a	Climate class	SN, N, ST
Energy efficiency class	G	EEl	171 %
Airborne acoustical noise emission class	C	Noise level	38 dB(A) re 1 pW
Total net volume	126 l		

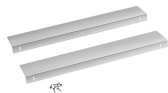
Electrical Connection

Plug	(F;E) Schuko	Voltage (V)	220-240 V
Electrical connection rating	65 W	Frequency (Hz)	50 Hz
Current	0,3 A	Power supply cable length	150 cm



Not included accessories

KIT040BE



Symbols glossary (TT)



A⁺



The automatic defrost system works by automatically defrosting at regular intervals eliminating the need to defrost altogether.



LED display: to show programmes, functions and options selected and the time to the end of the cycle.



Ventilated: Forced distribution of cold air in the refrigerator compartment, which allows even temperature distribution within the fridge.



LED interior lighting: is a more energy efficient and long lasting way of illuminating the interior of the appliance.



Built-in niche



Touch controls: Easy to use touch controls allow the appliance to be programmed at the touch of a button.



Energy efficiency class G



E MOTION opening system: the E MOTION electronic system allows to open the appliance semi-automatically by applying pressure on the door surface.