

D4140E



Product Family	Refrigerator
Installation	Built-in
Category	Top Mount
Built-in niche	144
Reference width	Until 60
Reference height	100 - 160
Cooling type	Static
Defrost	Manual
Hinge type	Sliding
Hinge position	Right
Reversible door	Yes
EAN code	8017709334451



Aesthetics

Aesthetic	Universale	Side material	Steel
Colour	White	Side colour	White
Design	Flat	Door shelves profile color	White
Material	Metal sheet	Drawers profile color	White

Refrigerator compartment features



No. of adjustable shelves	3	Bottle shelf	Yes
Number of fruit and vegetables drawers	1	Type of crisper/vegetable drawers cover	Glass
Type of adjustable shelves	Glass	No. of lights refrigerator compartment	1
Type of crisper/vegetable drawers cover	Standard	Internal light in fridge	Yes
Crisper Cover	Yes	Type of internal light (fridge)	LED

Refrigerator Inner Door

Number of adjustable door shelves	2	No. of bottle shelves	1
-----------------------------------	---	-----------------------	---

Other Refrigerator features

Accessories Egg tray


Other Freezer features

Accessories 1 ice box

Other technical features

Type of temperature control Electro-mechanical
Refrigerant gas type R600a

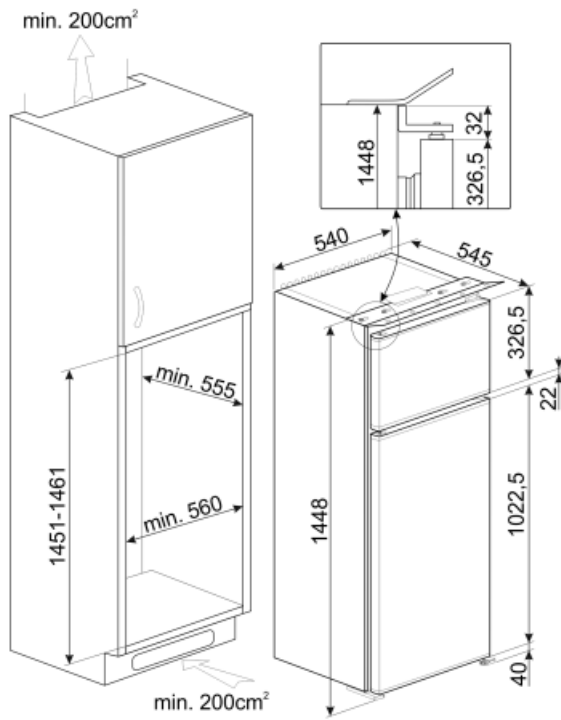
Performance / Energy Label NEW 2019



Annual energy consumption	186 kWh/a	Sum of the volumes of the chill compartment(s) and the unfrozen compartment(s)	176 l
Energy efficiency class	E	Airborne acoustical noise emissions	37 dB(A) re 1pW
Airborne acoustical noise emission class	C	Temperature Rise Time	13 h
Total net volume	220 l	Climate class	SN, N, ST
Sum of the volumes of the frozen compartment(s)	44 l	EEl	100 %

Electrical Connection

Plug	(F;E) Schuko	Voltage (V)	220-240 V
Electrical connection rating	70 W	Frequency (Hz)	50 Hz
Current	0,4 A	Power supply cable length	215 cm



Symbols glossary (TT)

- | | | | |
|--|---------------------------|---|---|
|  | Energy efficiency class E |  | LED interior lighting: is a more energy efficient and long lasting way of illuminating the interior of the appliance. |
|  | Built-in niche | | |