

# D8140E



Product Family	Refrigerator
Installation	Built-in
Category	Top Mount
Built-in niche	144
Reference width	Until 60
Reference height	100 - 160
Cooling type	Static
Defrost	Manual
Hinge type	Sliding
Kitchen panel	Not supplied
Hinge position	Right
Reversible door	Yes
EAN code	8017709337575



## Aesthetics

Aesthetic	Universale	Side material	Steel
Colour	White	Side colour	White
Design	Flat	Door shelves profile color	Silver
Material	Metal sheet	Drawers profile color	Silver

## Refrigerator compartment features



No. of adjustable shelves	3	Bottle shelf	Yes
Number of fruit and vegetables drawers	1	Type of crisper/vegetable drawers cover	Glass
Type of adjustable shelves	Glass	No. of lights refrigerator compartment	1
Type of crisper/vegetable drawers cover	Standard	Internal light in fridge	Yes
Crisper Cover	Yes	Type of internal light (fridge)	LED

## Refrigerator Inner Door

Number of adjustable door shelves	2	No. of bottle shelves	1
-----------------------------------	---	-----------------------	---

## Other Refrigerator features

---

Accessories                      Egg tray

## Other Freezer features

---

Accessories                      1 ice box


## Other technical features

---

Type of temperature control                      Electro-mechanical  
Refrigerant gas type                                      R600a

## Performance / Energy Label NEW 2019

---

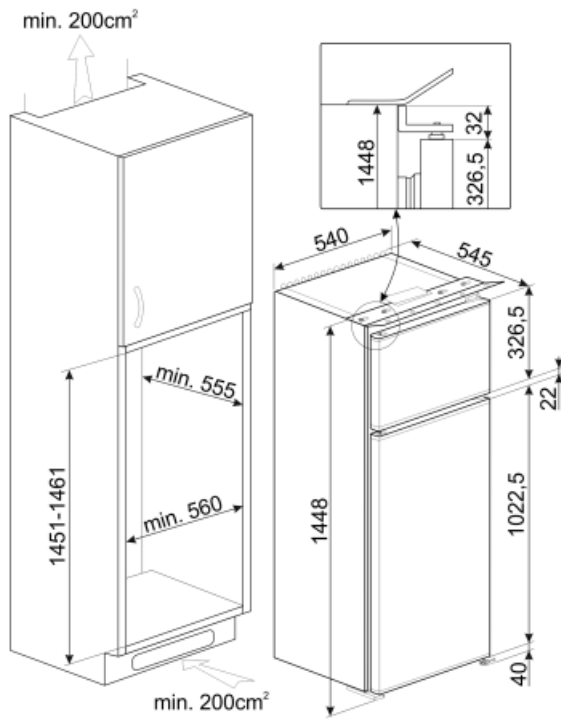


Annual energy consumption	232 kWh/a	Sum of the volumes of the chill compartment(s) and the unfrozen compartment(s)	176 l
Energy efficiency class	E	Airborne acoustical noise emissions	37 dB(A) re 1pW
Airborne acoustical noise emission class	C	Temperature Rise Time	13 h
Total net volume	220 l	Climate class	SN, N, ST, T
Sum of the volumes of the frozen compartment(s)	44 l	EEL	100 %

## Electrical Connection

---

Plug	(F;E) Schuko	Voltage (V)	220-240 V
Electrical connection rating	70 W	Frequency (Hz)	50 Hz
Current	0,4 A	Power supply cable length	215 cm



---

## Symbols glossary (TT)

---

-  Energy efficiency class E
-  LED interior lighting: is a more energy efficient and long lasting way of illuminating the interior of the appliance.
-  Built-in niche