

# D8140E



Product Family	Refrigerator
Installation	Built-in
Category	Double Door
Built-in niche	144
Reference width	Until 60
Reference height	100 - 160
Sistema Total No - Frost	No
Cooling type	Static
Defrost	Manual
Hinge type	Sliding
Hinge position	Right
Reversible door	Yes
EAN code	8017709337575



## Aesthetics

Aesthetic	Universal	Side colour	White
Colour	White	Cor do perfil das prateleiras da porta	Silver
Design	Flat	Cor do perfil das gavetas	Silver
Material	Metal sheet	Display	No
Handle kit to be ordered separately	No	Dispenser	No
Side material	Steel	HomeBar	No

## Refrigerator compartment features



No. of adjustable shelves	3	Type of crisper/vegetable drawers cover	Glass
Number of fruit and vegetables drawers	1	N° de lâmpadas	1
Type of adjustable shelves	Glass	Life Plus zone-0°C	No
Type of crisper/vegetable drawers cover	Standard	Compartimento baixa temperatura	No
Crisper Cover	Yes	Internal light in fridge	Yes
Bottle shelf	Yes	Type of internal light (fridge)	LED

## Refrigerator Inner Door

No. of bottle shelves	1
-----------------------	---

Number of adjustable door shelves 2

## Other Refrigerator features

Accessories	Egg tray	<b>MultiFlow</b>	No
Natural Plus Blu Light	No		

## Freezer compartment features

Internal light in freezer No


## Other Freezer features

Accessories	1 ice box	<b>Fast freezing compartment</b>	No
Manual ice maker	No		
Ice maker	No	<b>Ice tray shelf</b>	No

## Other technical features

MultiZone	No
Fast freezing button	No
Ligação à rede de água	No
Temperature alarm lamp	No
Door open alarm	No
Temperature Alarm	No
Antibacterial Gasket	No
Type of temperature control	Electro-mechanical
Refrigerant gas type	R600a

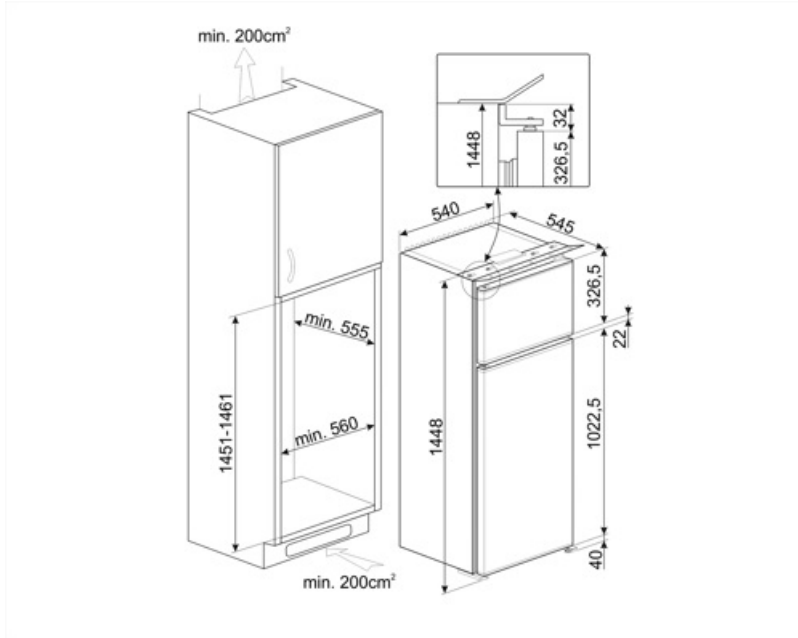
## Etiqueta de Desempenho / Energia - Reg. 2019

			
Consumo de energia anual	232 kWh/a	Soma dos volumes do(s) compartimento(s) refrigerado(s) e do(s) compartimento(s) não congelado(s)	176 l
Classe de eficiência energética	E	Airborne acoustical noise emissions	37 dB(A) re 1 pW
Classe de emissão de ruído acústico aerotransportado	C	Autonomia de conservação sem energia elétrica	13 h
Volume líquido total	220 l	Classe climática	SN, N, ST, T
Soma dos volumes do(s) compartimento(s) congelado(s)	44 l	EEl	100 %

## Electrical Connection

---

<b>Plug</b>	(F;E) Schuko	<b>Voltage (V)</b>	220-240 V
<b>Electrical connection rating</b>	70 W	<b>Frequency (Hz)</b>	50 Hz
<b>Current</b>	0,4 A	<b>Power supply cable length</b>	215 cm



---

## Symbols glossary

---



Iluminação interior LED: é uma forma mais eficiente em termos energéticos e duradoura de iluminar o interior do aparelho.



Nicho incorporado



Classe de eficiência energética E.

---

## Benefit (TT)

---

### **Refrigerant gas R600a**

Environmentally friendly R600a refrigerant gas contributes to rapid cooling with lower energy consumption

### **Refrigerator Internal lighting**

Interior lighting for perfect visibility of shelves in the refrigerator compartment

### **Fruit and vegetable drawer**

The fruit and vegetable drawer ensures the best storage conditions for fresh food, avoiding any contamination