

D8140F



Product Family	Refrigerator
Installation	Built-in
Category	Top Mount
Built-in niche	144
Cooling type	Static
Defrost	Manual
Hinge type	Sliding
Hinge position	Right
Reversible door	Yes
EAN code	8017709300319



Aesthetics

Aesthetic	Universale	Side material	Steel
Colour	White	Side colour	White
Design	Flat	Door shelves profile color	Silver
Material	Metal sheet	Drawers profile color	Silver

Refrigerator compartment features



No. of adjustable shelves	3	Crisper Cover	Yes
Number of fruit and vegetables drawers	1	Type of crisper/vegetable drawers cover	Glass
Shelves material	Glass	Internal light in fridge	Yes
Type of crisper/vegetable drawers cover	Standard	Type of internal light (fridge)	LED

Refrigerator Inner Door

Number of adjustable door shelves	2	No. of bottle shelves	1
-----------------------------------	---	-----------------------	---

Other Refrigerator features

Accessories	Bottle rack, Egg tray
-------------	-----------------------


Other Freezer features

Accessories 1 ice box

Other technical features

Type of temperature control Electro-mechanical
Refrigerant gas type R600a
Refrigerant Quantity (g) 46 g

Performance / Energy Label - Reg. 2019

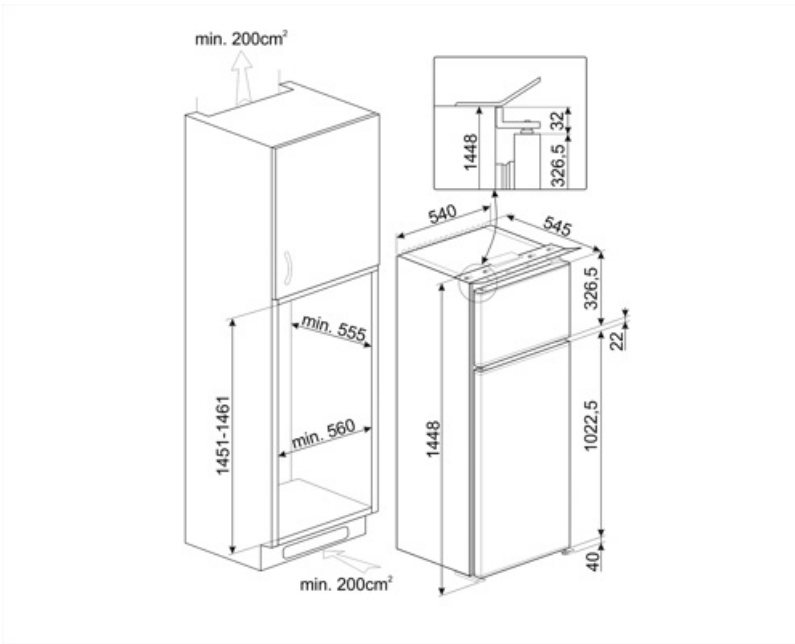
			
Annual energy consumption	232 kWh/a	Airborne acoustical noise emissions	37 dB(A) re 1 pW
Energy efficiency class	F	Temperature Rise Time	13 h
Airborne acoustical noise emission class	C	4 star - Freezing capacity	2,1 kg/24h
Total net volume	220 l	Climate class	SN, ST
Sum of the volumes of the frozen compartment(s)	44 l	EEl	125 %
Sum of the volumes of the chill compartment(s) and the unfrozen compartment(s)	176 l		

Electrical Connection

Electrical connection rating	70 W	Frequency (Hz)	50 Hz
Current	0,4 A	Power supply cable length	215 cm
Voltage (V)	220-240 V	Plug	(F;E) Schuko

Logistic Information

Width	540 mm	Height	1448 mm
Depth without handle	545 mm	Product width with maximum doors opening	540 mm



Symbols glossary



4 stars freezing compartment for better food preservation.



LED interior lighting: is a more energy efficient and long lasting way of illuminating the interior of the appliance.



Energy efficiency class F



A+: Energy efficiency class A+ helps to save up to 10% energy compared to class A. Maximum performance with minimum consumption is guaranteed.



Built-in niche