

DI14E



Product Family	Refrigerator
Installation	Built-in
Category	Top Mount
Built-in niche	144
Reference width	Until 60 cm
Reference height	100 - 160 cm
Cooling type	Static
Defrost	Manual
Hinge type	Sliding
Hinge position	Right
Reversible door	Yes
EAN code	8017709337742



Aesthetics

Aesthetic	Universale	Side material	Steel
Colour	White	Side colour	White
Design	Flat	Logo	Silk screen
Material	Metal sheet	Door shelves profile color	White
Handle type	Fixed	Drawers profile color	White
Logo colour	Black	Color of glass shelf profile	White

Refrigerator compartment features



Number of compartments	1	Type of crisper/vegetable drawers cover	Standard
Compartment types	Fruit and vegetable compartment	Crisper Cover	Yes
No. of adjustable shelves	3	Type of crisper/vegetable drawers cover	Glass
Number of fruit and vegetables drawers	1	Internal light in fridge	Yes
Shelves material	Glass	Type of internal light (fridge)	LED

Refrigerator Inner Door

Number of adjustable door shelves	2	No. of bottle shelves	1
-----------------------------------	---	-----------------------	---

Freezer compartment features

No. of shelves	1	Type of shelves	Wire
----------------	---	-----------------	------


Other Freezer features

Accessories	1 ice box
-------------	-----------

Other technical features

Type of temperature control	Electro-mechanical
No. of compressors	1
Refrigerant gas type	R600a
Type of compressor	Standard
Foam agent	Cyclopentane

Performance / Energy Label - Reg. 2019

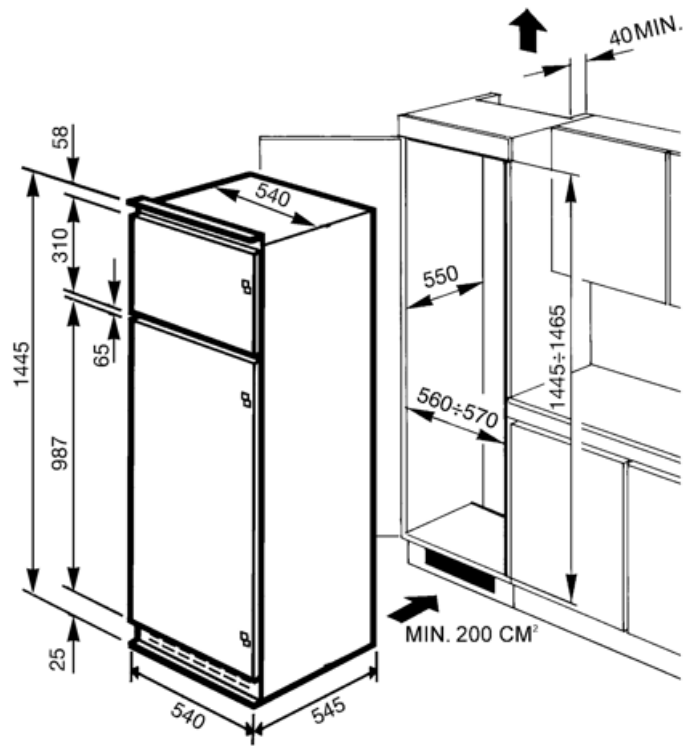
			
Annual energy consumption	178 kWh/a	Airborne acoustical noise emissions	37 dB(A) re 1 pW
Energy efficiency class	E	Temperature Rise Time	11,33 h
Airborne acoustical noise emission class	C	4 star - Freezing capacity	2,6 kg/24h
Total net volume	209 l	Climate class	N
Sum of the volumes of the frozen compartment(s)	38 l	EEl	100 %
Sum of the volumes of the chill compartment(s) and the unfrozen compartment(s)	172 l		

Electrical Connection

Current	0,51 A	Power supply cable length	120 cm
Voltage (V)	220-240 V	Plug	(F;E) Schuko
Frequency (Hz)	50 Hz		

Logistic Information

Width	540 mm	Height	1445 mm
Depth without handle	545 mm		



Symbols glossary



LED interior lighting: is a more energy efficient and long lasting way of illuminating the interior of the appliance.



Built-in niche



Energy efficiency class E