

# DI14F1



Product Family	Refrigerator
Installation	Built-in
Category	Double Door
Built-in niche	144
Reference width	Until 60
Reference height	100 - 160
Cooling type	Static
Defrost	Manual
Hinge type	Sliding
Hinge position	Right
Reversible door	Yes
EAN code	8017709321369



## Aesthetics

Aesthetic	Universal	Logotipo	Logotipo serigrafado
Colour	White	Cor do perfil das prateleiras da porta	White
Design	Flat	Cor do perfil das gavetas	White
Material	Metal sheet	Cor do perfil da prateleira de vidro	White
Handle kit to be ordered separately	No	Display	No
Handle type	Fixed	Dispenser	No
Logo colour	Black	HomeBar	No
Side material	Steel	Alternative colours available	No
Side colour	White		

## Refrigerator compartment features



No. of adjustable shelves	3	Type of crisper/vegetable drawers cover	Glass
Number of fruit and vegetables drawers	1	Life Plus zone-0°C	No
Type of adjustable shelves	Glass	Compartimento baixa temperatura	No
Type of crisper/vegetable drawers cover	Standard	Internal light in fridge	Yes
Crisper Cover	Yes	Type of internal light (fridge)	LED
Bottle shelf	No		

## Refrigerator Inner Door

Number of adjustable door shelves	2	No. of bottle shelves	1
Adjustable door shelves with wire support	No	Bottle shelves with wire support	No

## Other Refrigerator features

Natural Plus Blu Light MultiFlow	No	Fan	No
	No		

## Freezer compartment features

No. of shelves	1	Type of internal light (freezer)	No
Internal light in freezer	No	Type of shelves	Wire


## Other Freezer features

Accessories	1 ice box	Fast freezing compartment	No
Manual ice maker	No	Ice tray shelf	No

## Other technical features

Fast freezing button	No
Power on lamp	No
Temperature alarm lamp	No
Door open alarm	No
Temperature Alarm	No
Type of temperature control	Electro-mechanical
No. of compressors	1
Refrigerant gas type	R600a
Type of compressor	Standard
Refrigerant Quantity (gr)	62 g
Espuma expansiva de isolamento	Ciclopentano

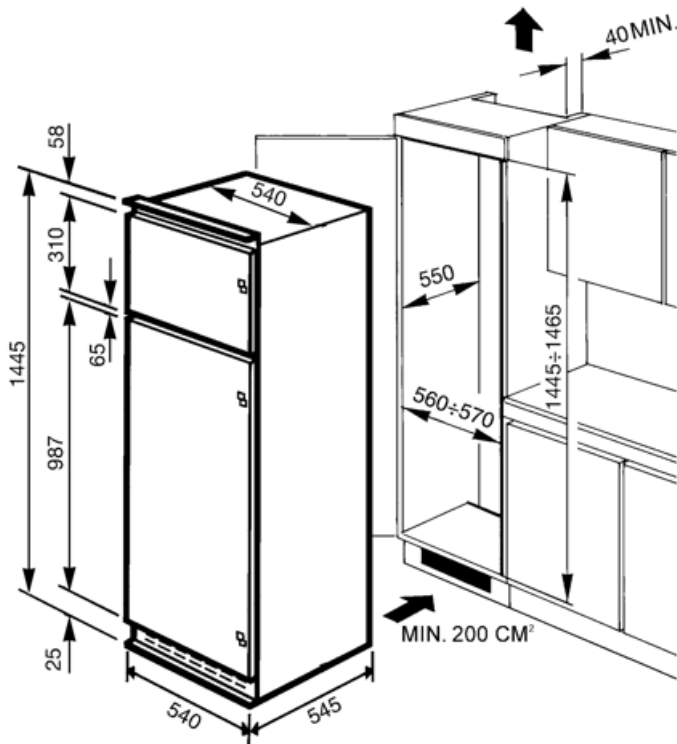
## Etiqueta de Desempenho / Energia - Reg. 2019

 Consumo de energia anual	224 kWh/a	Airborne acoustical noise emissions	37 dB(A) re 1 pW
Classe de eficiência energética	F		

Classe de emissão de ruído acústico aerotransportado	C	Autonomia de conservação sem energia elétrica	12.1 h
Volume líquido total	209 l	4 estrelas - Capacidade de congelamento 1	2.6 Kg/24h
Soma dos volumes do(s) compartimento(s) congelado(s)	38 l	Classe climática	N
Soma dos volumes do(s) compartimento(s) refrigerado(s) e do(s) compartimento(s) não congelado(s)	172 l	EEl	125 %

## Electrical Connection

Plug	(F;E) Schuko	Frequency (Hz)	50 Hz
Current	0.51 A	Power supply cable length	120 cm
Voltage (V)	220-240 V		



---

## Symbols glossary

---

 Classe de eficiência energética F



Iluminação interior LED: é uma forma mais eficiente em termos energéticos e duradoura de iluminar o interior do aparelho.



Nicho incorporado

---

## Benefit (TT)

---

### **Refrigerant gas R600a**

Environmentally friendly R600a refrigerant gas contributes to rapid cooling with lower energy consumption

### **Refrigerator Internal lighting**

Interior lighting for perfect visibility of shelves in the refrigerator compartment

### **Fruit and vegetable drawer**

The fruit and vegetable drawer ensures the best storage conditions for fresh food, avoiding any contamination