

# DWA6214S4

Product Family	Dishwashers
Commercial width	60 cm
Commercial height	85 cm
Installation	Free-standing
N° baskets	2
Motor	Single phase
EAN code	8017709341732

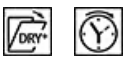


## Programs



N. of programmes	5	Mix	Yes
Washing temperatures	45, 50, 55, 65, 70, 75 °C	Hygiene 99,9%	Yes
Crystal	Yes	Normal ECO	Yes
Full express - 60 minutes	Yes		

## Options



Dry Assist+ option	Yes	Delay timer option	3-6-9 hours
--------------------	-----	--------------------	-------------

## Baskets

Basket colour	Grey	Lower Basket	With 2 foldable racks
Basket components colour	Grey	Lower basket with anti-drip inserts	Yes, as an accessory
Handle	In plastic on upper and lower basket	Largest loadable dish in lower basket	30,0 cm
Upper Basket	With central fixed racks	Colour Inner Components	Grey handles, Grey pastic plate for regulation second basket on three levels, Grey Orbital
Height adjustment of the upper basket	On three levels	Cutlery basket	13 place settings sliding
Largest loadable dish in upper basket	25,0 cm		

## Technical Features

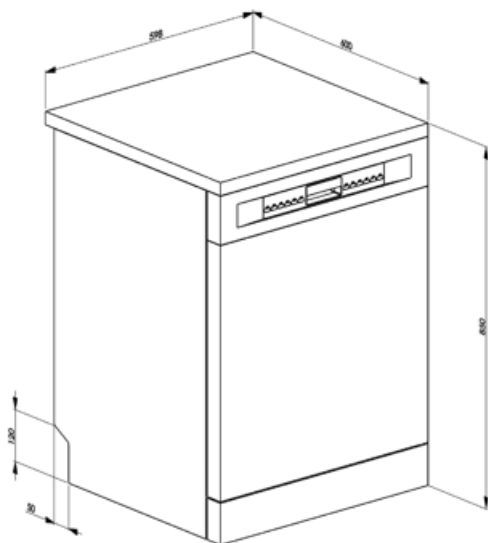


<b>Width (mm)</b>	598 mm
<b>Depth (mm)</b>	600 mm
<b>Product Height (mm)</b>	848 mm
<b>Controls</b>	Electronic
<b>Programme graphics</b>	Symbols
<b>On/off indicator</b>	Yes
<b>Rinse aid indicator</b>	Light
<b>End of cycle indicator</b>	Led on display, with acoustic signal
<b>Auto switch-off</b>	Yes
<b>Washing system</b>	Orbital
<b>Third spray arm</b>	Single
<b>Flood protection system</b>	Total Acquastop

<b>Water supply</b>	Single; cold/hot water max. 60°C - energysave with hot water up to 35%
<b>Max water hardness</b>	100°fH;58°dH
<b>Drying system</b>	Natural condenser drying, with Dry Assist + automatic door opening system at the end of the cycle
<b>Child safety system (door lock)</b>	Yes
<b>Tube material</b>	Stainless steel
<b>Filter</b>	Stainless steel
<b>Concealed heating element</b>	Yes
<b>Hinges</b>	Self balancing with fixed hinges
<b>Adjustable feet</b>	Just for levelling
<b>Back cover</b>	Yes, with covered counterweight
<b>Depth of dishwasher with open door (mm)</b>	1168 mm
<b>Removable top</b>	Yes, with optional KIT

## Electrical Connection

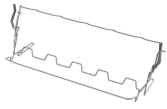
<b>Connected power</b>	1800 W	<b>Type of connection</b>	Single-phase
<b>Current</b>	10 A	<b>Power supply cable length</b>	140 cm
<b>Voltage</b>	220-240 V	<b>Plug</b>	(I) Australia
<b>Frequency (Hz)</b>	50 Hz		



---

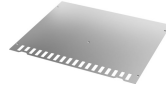
## Compatible Accessories

---



### KITGH

Kit glass holder. It has to be fitted on the first basket but only if there are foldable racks



### KITINC

a steel bar fitted on the top will block the dishwasher at the top.



### KITPLV2

Kit extension for dishwasher and washing machine: lenght mt. 2

## Symbols glossary



Child lock: some models are fitted with a device to lock the programme/cycle so it cannot be accidentally changed.



The Dry Assist + option, in addition to saving energy, ensures perfect drying of the dishes by opening the door automatically at the end of the wash cycle.



Orbital wash system distributes water evenly throughout the 60cm dishwasher cavity, directing water with precision to ensure an excellent wash.



Normal programme: The normal programme is suitable for normal degrees of dirt for everyday use.



The symbols show the number of plate settings of the dishwasher.



System WaterSave ensures the best washing results with minimal water consumption depending on the model of dishwasher.



HYGIENE 99.9% High-temperature washing programme. The 75° rinse guarantees the removal of 99.9% of germs and bacteria, making it ideal for sanitising.



Delay Timer: The delay timer can postpone the start of the program by up to 24 hours.



Noise Level: Excellent insulation and special devices keep noise to a minimum.



Crystals: The Crystals programme is dedicated to delicate dishes such as glasses and china.



REF\_PRG\_NORMAL\_ECO\_72dpi



Total Acquastop: In addition to the partial Acquastop protection present in all Smeg dishwashers, some models have an electronic device fitted to the water intake hose, which monitors water levels in the machine, detects leaks in the hose and switches off the water supply immediately when necessary.



Quick wash cycle for normally soiled mixed loads such as dishes and pans, even with dried-on residues. Dishes are washed and dried in 60 minutes.