

FAB10HRPG5



Product Family	Refrigerator
Installation	Free standing
Category	One Door
Reference width	Until 60 cm
Reference height	Until 100 cm
Cooling type	Static
Defrost	Automatic
Hinge type	Standard
Hinge position	Right
EAN code	8017709297961



Aesthetics

Aesthetic	50's Style	Handle type	Fixed
Colour	Pastel green	Handle colour	Chrome
Design	Rounded	Logo colour	Chrome
Finishing	Glossy	Side material	Steel
Material	Heat-moulded	Side colour	Cream
Handle	External	Logo	Applied

Refrigerator compartment features



No. of adjustable shelves	2	Internal light in fridge	Yes
Type of adjustable shelves	Glass	Type of internal light (fridge)	LED

Refrigerator Inner Door

Number of adjustable door shelves	2	No. of bottle shelves	1
-----------------------------------	---	-----------------------	---


Other Refrigerator features

Accessories	Bottle rack, Separatore lattine
-------------	---------------------------------

Other technical features

Type of temperature control	Electro-mechanical
No. of compressors	1
Refrigerant gas type	R600a
Type of compressor	Standard
Refrigerant Quantity (gr)	28 g
Foam agent	Cyclopentane

Performance / Energy Label - Reg. 2019

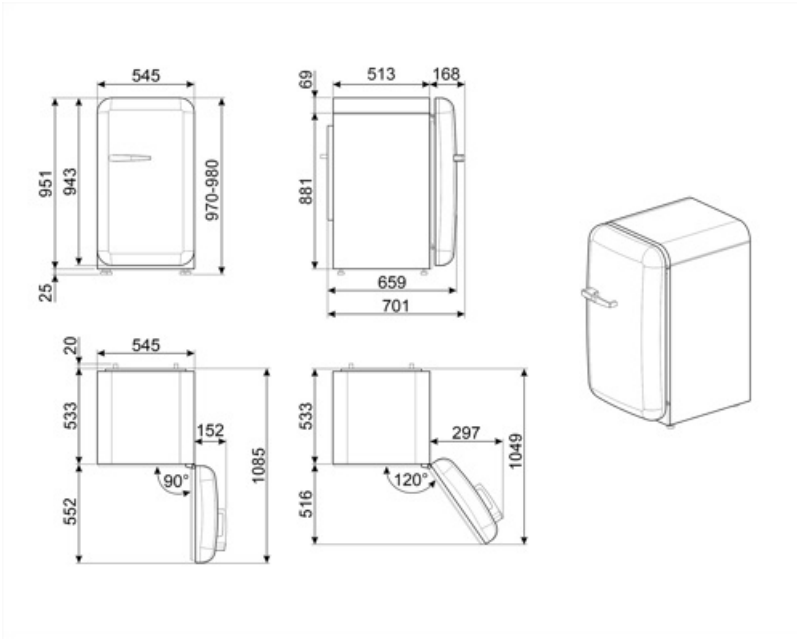
 Annual energy consumption	88 kWh/a	Sum of the volumes of the chill compartment(s) and the unfrozen compartment(s)	135 l
Energy efficiency class	E	Airborne acoustical noise emissions	35 dB(A) re 1 pW
Airborne acoustical noise emission class	B	Climate class	SN, N, ST, T
Total net volume	135 l	EEl	96 %

Electrical Connection

Electrical connection rating	50 W	Frequency (Hz)	50 Hz
Current	0.35 A	Power supply cable length	180 cm
Voltage (V)	220-240 V	Plug	(F;E) Schuko

Logistic Information

Width	545 mm	Product width with maximum doors opening	842 mm
Depth without handle	659 mm	Product depth with handle	701 mm
Height	970 mm	Product depth with doors open at 90°	1085 mm



Alternative products



FAB10HRDIT5

Hinge position: Right
Decorated / Special



FAB10HRBL5

Hinge position: Right
Black



FAB10HRPB5

Hinge position: Right
Pastel blue



FAB10HRPK5

Hinge position: Right
Pink



FAB10HRRD5

Hinge position: Right
Red



FAB10HRWH5

Hinge position: Right
White



FAB10HRCR5

Hinge position: Right
Cream

Symbols glossary



The automatic defrost system works by automatically defrosting at regular intervals eliminating the need to defrost altogether.



LED interior lighting: is a more energy efficient and long lasting way of illuminating the interior of the appliance.



Energy efficiency class E