

# FAB10HRRD5



|                  |               |
|------------------|---------------|
| Product Family   | Refrigerator  |
| Installation     | Free standing |
| Category         | One Door      |
| Reference width  | Until 60      |
| Reference height | Until 100     |
| Cooling type     | Static        |
| Defrost          | Automatic     |
| Hinge type       | Standard      |
| Hinge position   | Right         |
| EAN code         | 8017709297978 |



## Aesthetics

|           |              |               |         |
|-----------|--------------|---------------|---------|
| Aesthetic | 50's Style   | Handle type   | Fixed   |
| Colour    | Red          | Handle colour | Chrome  |
| Finishing | Glossy       | Logo colour   | Chrome  |
| Design    | Rounded      | Side material | Steel   |
| Material  | Heat-moulded | Side colour   | Red     |
| Handle    | External     | Logo          | Applied |

## Refrigerator compartment features



|                            |       |                                 |     |
|----------------------------|-------|---------------------------------|-----|
| No. of adjustable shelves  | 2     | Internal light in fridge        | Yes |
| Type of adjustable shelves | Glass | Type of internal light (fridge) | LED |

## Refrigerator Inner Door

|                                   |   |                       |   |
|-----------------------------------|---|-----------------------|---|
| Number of adjustable door shelves | 2 | No. of bottle shelves | 1 |
|-----------------------------------|---|-----------------------|---|


## Other Refrigerator features

|             |                                 |
|-------------|---------------------------------|
| Accessories | Bottle rack, Separatore lattine |
|-------------|---------------------------------|

## Other technical features

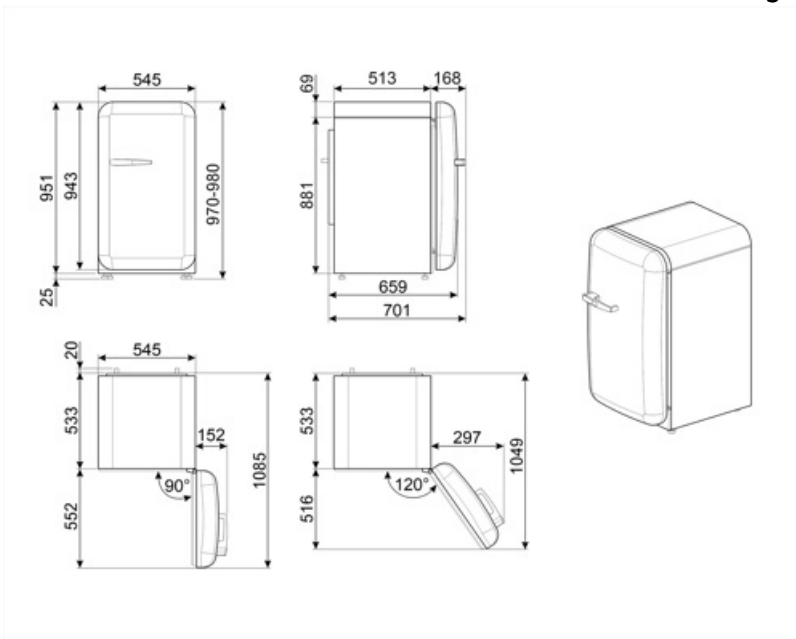
|                             |                    |
|-----------------------------|--------------------|
| Type of temperature control | Electro-mechanical |
| No. of compressors          | 1                  |
| Refrigerant gas type        | R600a              |
| Type of compressor          | Standard           |
| Refrigerant Quantity (gr)   | 28 g               |
| Foam agent                  | Cyclopentane       |

## Performance / Energy Label - Reg. 2019

|  |          |  |                  |
|--|----------|--|------------------|
|  Annual energy consumption | 88 kWh/a | Sum of the volumes of the chill compartment(s) and the unfrozen compartment(s) | 135 l            |
| Energy efficiency class  | E        | Airborne acoustical noise emissions  | 35 dB(A) re 1 pW |
| Airborne acoustical noise emission class   | B        | Climate class  | SN, N, ST, T     |
| Total net volume   | 135 l    | EI   | 96 %             |

## Electrical Connection

|                              |              |                           |           |
|------------------------------|--------------|---------------------------|-----------|
| Plug                         | (F;E) Schuko | Voltage (V)               | 220-240 V |
| Electrical connection rating | 50 W         | Frequency (Hz)            | 50 Hz     |
| Current                      | 0,35 A       | Power supply cable length | 180 cm    |



---

## Symbols glossary

---



The automatic defrost system works by automatically defrosting at regular intervals eliminating the need to defrost altogether.



LED interior lighting: is a more energy efficient and long lasting way of illuminating the interior of the appliance.



Energy efficiency class E