

# FAB10HRWH5



Product Family	Refrigerator
Installation	Free Standing
Category	One Door
Reference width	Until 60
Reference height	Until 100
Cooling type	Static
Defrost	Automatic
Hinge type	Standard
Door opening flush with the wall	No
Slot-in	No
Hinge position	Right
Reversible door	No
EAN code	8017709297985



## Aesthetics

Aesthetic	Estilo anos '50	Logo colour	Chrome
Colour	White	Side material	Steel
Acabamento	Brilhante	Side colour	White
Design	Rounded	Logotipo	Logotipo aplicado
Material	Heat-moulded	Display	No
Handle kit to be ordered separately	No	Dispenser	No
Handle	External	Water Filter	No
Handle type	Fixed	HomeBar	No
Handle colour	Chrome		

## Refrigerator compartment features



No. of adjustable shelves	2	Life Plus zone-0°C	No
Type of adjustable shelves	Glass	Compartimento baixa temperatura	No
Crisper Cover	No	Internal light in fridge	Yes
Bottle shelf	No	Type of internal light (fridge)	LED

## Refrigerator Inner Door

Number of adjustable door shelves	2	No. of bottle shelves	1
		Bottle shelves with wire support	No

Adjustable door shelves No  
with wire support

## Other Refrigerator features

Accessories	Bottle rack, Separador de latas	Ionizer	No
Natural Plus Blu Light	No	Tecnologia de titânio	No
MultiFlow	No	Filtro de odor antibacteriano	No
Fan	No	Zona de cuidados biológicos	No


## Freezer compartment features

Internal light in freezer	No	Type of internal light (freezer)	No
---------------------------	----	----------------------------------	----

## Other technical features

Ligação à rede de água	No
Power on lamp	No
Temperature alarm lamp	No
Door open alarm	No
Temperature Alarm	No
Antibacterial Gasket	No
Type of temperature control	Electro-mechanical
No. of compressors	1
Refrigerant gas type	R600a
Type of compressor	Standard
Refrigerant Quantity (gr)	28 g
Espuma expansiva de isolamento	Ciclopentano

## Etiqueta de Desempenho / Energia - Reg. 2019

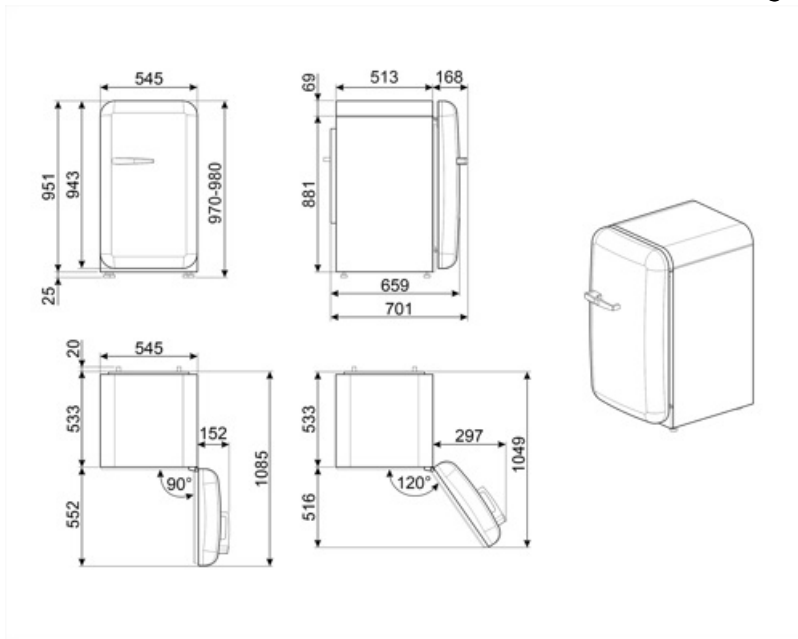
			
Consumo de energia anual	88 kWh/a	Soma dos volumes do(s) compartimento(s) refrigerado(s) e do(s) compartimento(s) não congelado(s)	135 l
Classe de eficiência energética	E	Airborne acoustical noise emissions	35 dB(A) re 1 pW
Classe de emissão de ruído acústico aerotransportado	B	Classe climática	SN, N, ST, T
Volume líquido total	135 l	EI	96 %

## Electrical Connection

Plug	(F;E) Schuko	Voltage (V)	220-240 V
------	--------------	-------------	-----------

Electrical connection rating  
50 W  
Current  
0.35 A





Frequency (Hz)  
50 Hz  
Power supply cable length  
180 cm



---

## Symbols glossary

---

-  A++: A classe de eficiência energética A++ ajuda a economizar até 20% de energia em comparação com a classe A. O desempenho máximo com consumo mínimo é garantido.
-  Iluminação interior LED: é uma forma mais eficiente em termos energéticos e duradoura de iluminar o interior do aparelho.
-  O sistema de descongelamento automático funciona descongelando automaticamente em intervalos regulares, eliminando a necessidade de descongelar completamente.
-  Classe de eficiência energética E.

## Benefit (TT)

---

### Refrigerant gas R600a

Environmentally friendly R600a refrigerant gas contributes to rapid cooling with lower energy consumption

### Climate class

Climatic class SN-T makes the appliance suitable for working at room temperature between 10 °C and 43 °C (50 °F ~ 109 °F)

### External handle

The external handle ensures practicality and ease of use of the refrigerator

### Refrigerator Internal lighting

Interior lighting for perfect visibility of shelves in the refrigerator compartment