

# FAB10LCR6



Product Family	Refrigerator
Installation	Free standing
Category	One Door
Reference width	Until 60 cm
Reference height	Until 100 cm
Cooling type	Static
Defrost	Automatic for refrigerator, manual for freezer
Hinge type	Standard
Hinge position	Left
EAN code	8017709342371



## Aesthetics

Aesthetic	50's Style	Handle type	Fixed
Colour	Cream	Handle colour	Chrome
Design	Rounded	Logo colour	Chrome
Finishing	Glossy	Side material	Steel
Material	Heat-moulded	Side colour	Cream
Handle	External	Logo	Applied

## Refrigerator compartment features



Number of compartments	1	Crisper Cover	Yes
Compartment types	Fruit and vegetable compartment	Type of crisper/vegetable drawers cover	Glass
No. of adjustable shelves	1	No. of lights refrigerator compartment	1
Number of fruit and vegetables drawers	1	Internal light in fridge	Yes
Shelves material	Glass	Type of internal light (fridge)	LED
Type of crisper/vegetable drawers cover	Standard		

## Refrigerator Inner Door

Number of adjustable door shelves	2	No. of bottle shelves	1
-----------------------------------	---	-----------------------	---


## Freezer compartment features

Internal freezer compartment Yes

## Other technical features

Type of temperature control	Electro-mechanical
No. of compressors	1
Refrigerant gas type	R600a
Type of compressor	Standard
Refrigerant Quantity (g)	25 g
Foam agent	Cyclopentane

## Performance / Energy Label - Reg. 2019

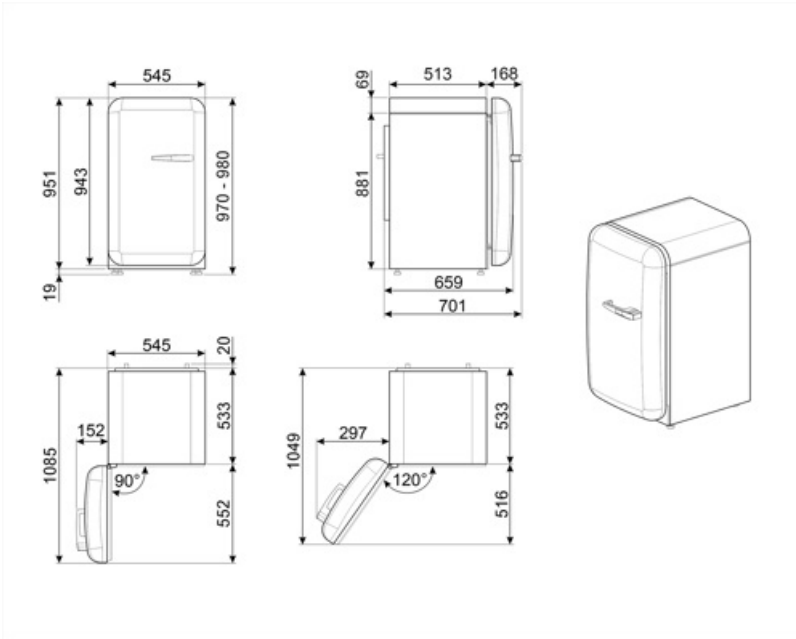
 Annual energy consumption	115 kWh/a	Airborne acoustical noise emissions	35 dB(A) re 1 pW
Energy efficiency class	D	Temperature Rise Time	6 h
Airborne acoustical noise emission class	B	4 star - Freezing capacity	2,6 kg/24h
Total net volume	122 l	Climate class	N, ST, T
Sum of the volumes of the frozen compartment(s)	17 l	EI	79 %
Sum of the volumes of the chill compartment(s) and the unfrozen compartment(s)	105 l		

## Electrical Connection

Electrical connection rating	50 W	Frequency (Hz)	50 Hz
Current	0,42 A	Power supply cable length	180 cm
Voltage (V)	220-240 V	Plug	(F;E) Schuko

## Logistic Information

Width	545 mm	Product width with maximum doors opening	842 mm
Depth without handle	659 mm	Product depth with handle	701 mm
Height	970 mm	Product depth with doors open at 90°	1085 mm



---

## Alternative products

---



**FAB10LWH6**

**Hinge position:** Left  
White



**FAB10LOR6**

**Hinge position:** Left  
Orange



**FAB10LBL6**

**Hinge position:** Left  
Black



**FAB10LRD6**

**Hinge position:** Left  
Red

---

## Symbols glossary

---



4 stars freezing compartment for better food preservation.



The automatic defrost system works by automatically defrosting at regular intervals eliminating the need to defrost altogether.



Energy efficiency class D



LED interior lighting: is a more energy efficient and long lasting way of illuminating the interior of the appliance.