

FAB10LWH6



Product Family	Refrigerator
Installation	Free Standing
Category	One Door
Reference width	Until 60 cm
Reference height	Until 100 cm
Cooling type	Static
Defrost	Automatic for refrigerator, manual for freezer
Hinge type	Standard
Hinge position	Left
EAN code	8017709342494



Aesthetics

Aesthetics	50's Style	Handle colour	Chrome
Colour	White	Logo colour	Chrome
Design	Rounded	Side material	Steel
Finishing	Gloss	Side colour	White
Material	Heat-moulded	Logo	Applied
Handle	External	Door shelves profile colour	Silver
Handle type	Fixed	Colour of glass shelf profile	Silver

Refrigerator compartment features



Number of compartments	1	Crisper Cover	Yes
Compartment types	Fruit and vegetable compartment	Type of crisper/vegetable drawers cover	Glass
No. of adjustable shelves	1	No. of lights	1
Number of fruit and vegetables drawers	1	Internal light in fridge	Yes
Shelves material	Glass	Type of internal light (fridge)	LED
Type of crisper/vegetable drawers cover	Standard		

Refrigerator Inner Door

Number of adjustable door shelves 2

No. of bottle shelves 1

Other Refrigerator features

Accessories Bottle holder


Freezer compartment features

Internal freezer compartment Yes

Other technical features

Type of temperature control	Electro-mechanical
No. of compressors	1
Refrigerant gas type	R600a
Type of compressor	Standard
Refrigerant Quantity (g)	25 g
Foam agent	Cyclopentane

Performance / Energy Label

 Annual energy consumption	115 kWh/year	Noise level	35 dB(A) re 1 pW
Energy efficiency class	D	Thaw time	6 h
Airborne acoustical noise emission class	B	4 star - Freezing capacity	2,6 kg/24h
Total volume	122 l	Climatic class	N, ST, T
Sum of the volumes of the frozen compartment(s)	17 l	EEl	79 %
Sum of the volumes of the chill compartment(s) and the unfrozen compartment(s)	105 l		

Electrical Connection

Nominal power	50 W	Frequency (Hz)	50 Hz
Current	0,42 A	Power supply cable length	180 cm
Voltage (V)	220-240 V	Plug	(F;E) Schuko

Logistic Information

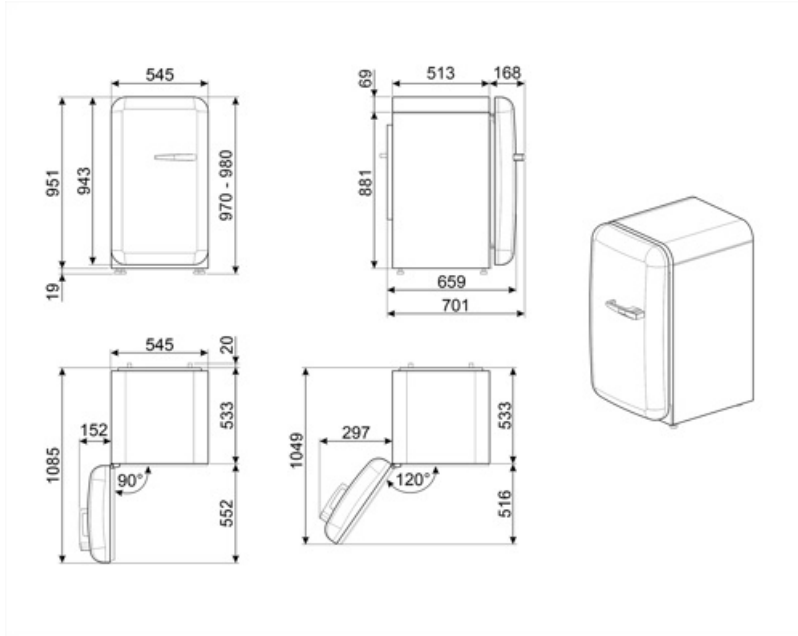
Width (mm) 545 mm

Depth without handle 659 mm
Product Height with feet 970 mm

Product width with maximum doors opening 842 mm

Product depth with handle 701 mm

Product depth with doors open at 90° 1085 mm



Alternative products



FAB10LCR6

Hinge position: Left
Cream



FAB10LOR6

Hinge position: Left
Orange



FAB10LBL6





Hinge position: Left
Black



FAB10LRD6

Hinge position: Left
Red

Symbols glossary

- | | | | |
|--|---|---|---|
|  | 4 stars freezing compartment for better food preservation. |  | The automatic defrost system works by automatically defrosting at regular intervals eliminating the need to defrost altogether. |
|  | LED interior lighting: is a more energy efficient and long lasting way of illuminating the interior of the appliance. |  | Energy efficiency class D |