

# FAB10RBL2



Product Family	Refrigerator
Installation	Free standing
Category	One Door
Cooling type	Static
Defrost	Automatic for refrigerator, manual for freezer
Hinge type	Standard
Hinge position	Right
EAN code	8017709275563



## Aesthetics

Aesthetic	50's Style	Handle colour	Chrome
Colour	Black	Logo colour	Chrome
Design	Rounded	Side material	Steel
Finishing	Glossy	Side colour	Black
Material	Heat-moulded	Logo	Applied
Handle	External	Display position	
Handle type	Fixed	Alternative colours available	Orange, Pastel blue, White, Black, Cream, Pink, Red, Pastel green, Decorated / Special

## Refrigerator compartment features



No. of adjustable shelves	2	Crisper Cover	Yes
Number of fruit and vegetables drawers	1	Type of crisper/vegetable drawers cover	Glass
Shelves material	Glass	Internal light in fridge	Yes
Type of crisper/vegetable drawers cover	Standard	Type of internal light (fridge)	LED

## Refrigerator Inner Door

No. of door shelves with transparent cover	1	No. of bottle shelves	1
--	---	-----------------------	---

Number of adjustable door shelves 1

## Other Refrigerator features

Accessories Bottle holder, Egg tray

## Freezer compartment features

Internal freezer compartment Yes

## Other technical features



Freezer compartment accessories	Ice cube tray
Antibacterial Gasket	Yes
Type of temperature control	Electro-mechanical
No. of compressors	1
Refrigerant gas type	R600a
Type of compressor	Standard
Refrigerant Quantity (g)	18 g
Foam agent	Cyclopentane

## Performance / Energy Label - Reg. 2019

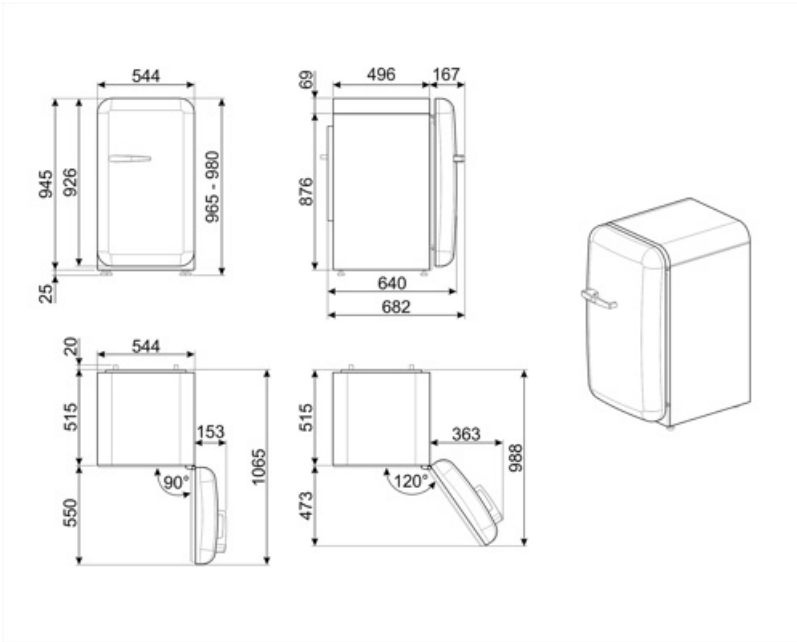
Airborne acoustical noise emissions	37 dB(A) re 1 pW	Climate class	SN, N, ST, T
-------------------------------------	------------------	---------------	--------------

## Electrical Connection

Current	0.3 A	Power supply cable length	170 cm
Voltage (V)	220-240 V	Plug	(F;E) Schuko
Frequency (Hz)	50 Hz		

## Logistic Information

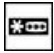




Width	564 mm	Product width with maximum doors opening	970 mm
Depth without handle	632 mm	Product depth with handle	680 mm
Height	960 mm	Product depth with doors open at 90°	1110 mm



---

## Symbols glossary

---

- |  |   |   |  |
|--|---|---|--|
|  | 4 stars freezing compartment for better food preservation.  |  | A++: Energy efficiency class A++ helps to save up to 20% energy compared to class A. Maximum performance with minimum consumption is guaranteed. |
|  | The automatic defrost system works by automatically defrosting at regular intervals eliminating the need to defrost altogether. |  | Antibacterial treatment: antibacterial treatment to ensure better hygiene.   |
|  | LED interior lighting: is a more energy efficient and long lasting way of illuminating the interior of the appliance.           |   |  |