

FAB10RDSN6



Product Family	Refrigerator
Installation	Free standing
Category	One Door
Reference width	Until 60
Reference height	Until 100
Cooling type	Static
Defrost	Automatic for refrigerator, manual for freezer
Hinge type	Standard
Kitchen panel	Not supplied
Hinge position	Right
EAN code	8017709342401



Aesthetics

Aesthetic	50's Style	Handle type	Fixed
Colour	White	Handle colour	Chrome
Finishing	Glossy	Logo colour	Chrome
Decoration / Special colour	Snoopy	Side material	Steel
Collaborations	Smeg & Peanuts	Side colour	White
Design	Rounded	Logo	Applied
Material	Heat-moulded	Door shelves profile color	Silver
Handle	External	Color of glass shelf profile	Silver

Refrigerator compartment features



No. of adjustable shelves	1	Crisper Cover	Yes
Number of fruit and vegetables drawers	1	Type of crisper/vegetable drawers cover	Glass
Type of adjustable shelves	Glass	Internal light in fridge	Yes
Type of crisper/vegetable drawers cover	Standard	Type of internal light (fridge)	LED

Refrigerator Inner Door

No. of bottle shelves	1
------------------------------	---

Number of adjustable door shelves 2


Freezer compartment features

Internal freezer compartment Yes

Other technical features

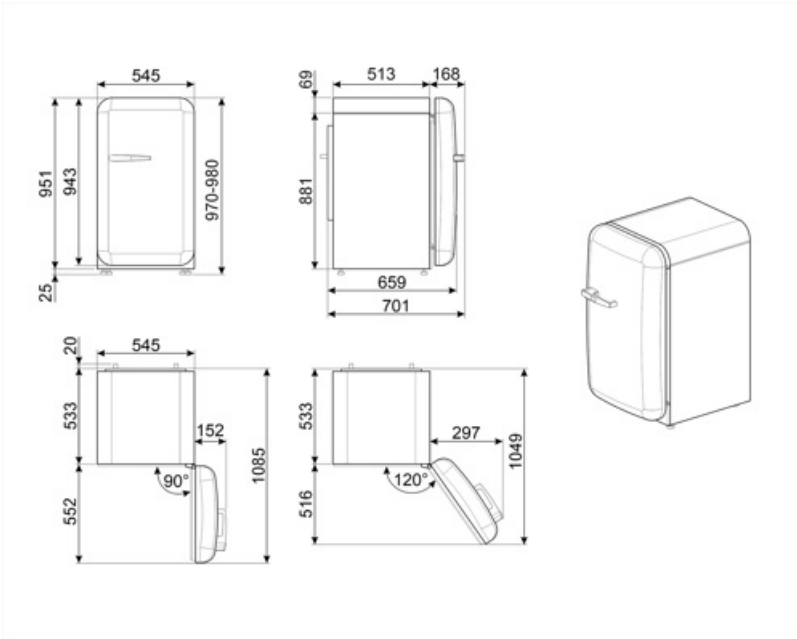
Type of temperature control	Electro-mechanical
No. of compressors	1
Refrigerant gas type	R600a
Type of compressor	Standard
Refrigerant Quantity (gr)	25 g
Foam agent	Cyclopentane

Performance / Energy Label - Reg. 2019

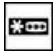



			
Annual energy consumption	115 kWh/a	Airborne acoustical noise emissions	35 dB(A) re 1 pW
Energy efficiency class	D	Temperature Rise Time	6 h
Airborne acoustical noise emission class	B	4 star - Freezing capacity	2.6 Kg/24h
Total net volume	122 l	Climate class	N, ST, T
Sum of the volumes of the frozen compartment(s)	17 l	EEl	79 %
Sum of the volumes of the chill compartment(s) and the unfrozen compartment(s)	105 l		

Electrical Connection

Plug	(F;E) Schuko	Voltage (V)	220-240 V
Electrical connection rating	50 W	Frequency (Hz)	50 Hz
Current	0,42 A	Power supply cable length	180 cm



Symbols glossary (TT)

- | | | | |
|--|---|---|---|
|  | 4 stars freezing compartment for better food preservation. |  | The automatic defrost system works by automatically defrosting at regular intervals eliminating the need to defrost altogether. |
|  | LED interior lighting: is a more energy efficient and long lasting way of illuminating the interior of the appliance. |  | Energy efficiency class D |