

# FAB10RDSN6



<b>Product Family</b>	Refrigerator
<b>Installation</b>	Free standing
<b>Category</b>	One Door
<b>Reference width</b>	Until 60 cm
<b>Reference height</b>	Until 100 cm
<b>Cooling type</b>	Static
<b>Defrost</b>	Automatic for refrigerator, manual for freezer
<b>Hinge type</b>	Standard
<b>Hinge position</b>	Right
<b>EAN code</b>	8017709342401



## Aesthetics

<b>Aesthetic</b>	50's Style	<b>Handle type</b>	Fixed
<b>Colour</b>	White	<b>Handle colour</b>	Chrome
<b>Decoration / Special colour</b>	Snoopy	<b>Logo colour</b>	Chrome
<b>Design</b>	Rounded	<b>Side material</b>	Steel
<b>Finishing</b>	Glossy	<b>Side colour</b>	White
<b>Material</b>	Heat-moulded	<b>Logo</b>	Applied
<b>Collaborations</b>	Smeg & Peanuts	<b>Door shelves profile color</b>	Silver
<b>Handle</b>	External	<b>Color of glass shelf profile</b>	Silver

## Refrigerator compartment features



<b>No. of adjustable shelves</b>	1	<b>Type of crisper/vegetable drawers cover</b>	Glass
<b>Number of fruit and vegetables drawers</b>	1	<b>No. of lights refrigerator compartment</b>	
<b>Shelves material</b>	Glass	<b>Internal light in fridge</b>	Yes
<b>Type of crisper/vegetable drawers cover</b>	Standard	<b>Type of internal light (fridge)</b>	LED
<b>Crisper Cover</b>	Yes		

## Refrigerator Inner Door

<b>No. of bottle shelves</b>	1
------------------------------	---

Number of adjustable door shelves 2


## Freezer compartment features

Internal freezer compartment Yes

## Other technical features

Type of temperature control	Electro-mechanical
No. of compressors	1
Refrigerant gas type	R600a
Type of compressor	Standard
Refrigerant Quantity (g)	25 g
Foam agent	Cyclopentane

## Performance / Energy Label - Reg. 2019

			
Annual energy consumption	115 kWh/a	Airborne acoustical noise emissions	35 dB(A) re 1 pW
Energy efficiency class	D	Temperature Rise Time	6 h
Airborne acoustical noise emission class	B	4 star - Freezing capacity	2,6 kg/24h
Total net volume	122 l	Climate class	N, ST, T
Sum of the volumes of the frozen compartment(s)	17 l	EI	79 %
Sum of the volumes of the chill compartment(s) and the unfrozen compartment(s)	105 l		

## Electrical Connection

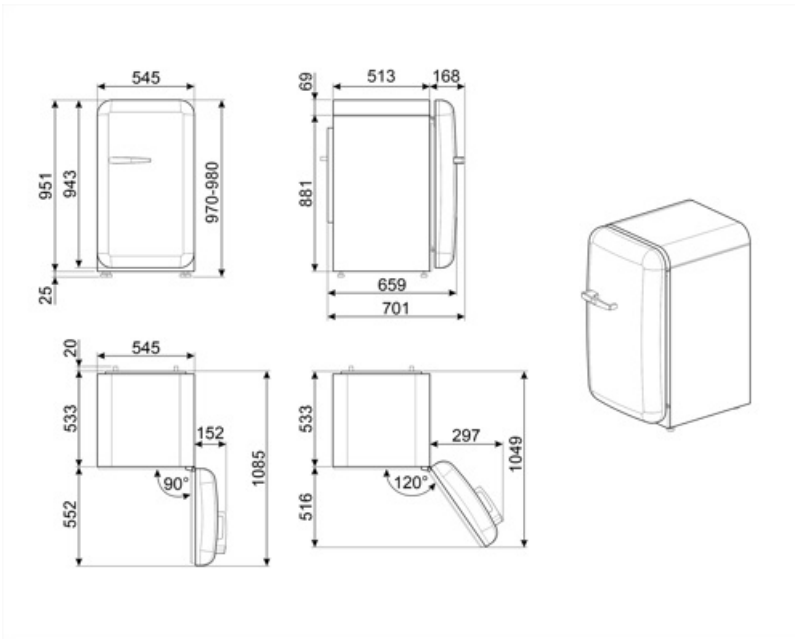
Electrical connection rating	50 W	Frequency (Hz)	50 Hz
Current	0,42 A	Power supply cable length	180 cm
Voltage (V)	220-240 V	Plug	(F;E) Schuko

## Logistic Information

Width	545 mm	Product width with maximum doors opening	842 mm
Depth without handle	659 mm	Product depth with handle	701 mm
Height	970 mm		

Product depth with  
doors open at 90°

1085 mm



---

## Alternative products

---



**FAB10RDUJ6**

**Hinge position:** Right  
Decorated / Special



**FAB10RRD6**

**Hinge position:** Right  
Red



**FAB10RPG6**

**Hinge position:** Right  
Pastel green



**FAB10RPK6**

**Hinge position:** Right  
Pink



**FAB10ROR6**

**Hinge position:** Right  
Orange



**FAB10RWH6**

**Hinge position:** Right  
White



**FAB10RPB6**

**Hinge position:** Right  
Pastel blue



**FAB10RCR6**

**Hinge position:** Right  
Cream



**FAB10RDIF6**

**Hinge position:** Right  
Decorated / Special



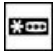



**FAB10RBL6**

**Hinge position:** Right  
Black

---

## Symbols glossary

---

- |  |  |   |   |
|--|--|---|---|
|  | 4 stars freezing compartment for better food preservation. |  | The automatic defrost system works by automatically defrosting at regular intervals eliminating the need to defrost altogether. |
|  | Energy efficiency class D                                  |  | LED interior lighting: is a more energy efficient and long lasting way of illuminating the interior of the appliance.           |