

# FAB10RDSN6



<b>Product Family</b>	Refrigerator
<b>Installation</b>	Free Standing
<b>Category</b>	One Door
<b>Reference width</b>	Until 60
<b>Reference height</b>	Until 100
<b>Cooling type</b>	Static
<b>Defrost</b>	Automatic for refrigerator, manual for freezer
<b>Hinge type</b>	Standard
<b>Door opening flush with the wall</b>	No
<b>Slot-in</b>	No
<b>Hinge position</b>	Right
<b>Reversible door</b>	No
<b>EAN code</b>	8017709342401



## Aesthetics

<b>Aesthetic</b>	Estilo anos '50	<b>Logo colour</b>	Chrome
<b>Colour</b>	White	<b>Side material</b>	Steel
<b>Acabamento</b>	Brilhante	<b>Side colour</b>	White
<b>Decoration / Special colour</b>	Snoopy	<b>Logotipo</b>	Logotipo aplicado
<b>Colaborações</b>	Smeg & Peanuts	<b>Cor do perfil das prateleiras da porta</b>	Silver
<b>Design</b>	Rounded	<b>Cor do perfil da prateleira de vidro</b>	Silver
<b>Material</b>	Heat-moulded	<b>Display</b>	No
<b>Handle kit to be ordered separately</b>	No	<b>Dispenser</b>	No
<b>Handle</b>	External	<b>Water Filter</b>	No
<b>Handle type</b>	Fixed	<b>HomeBar</b>	No
<b>Handle colour</b>	Chrome		

## Refrigerator compartment features



<b>No. of adjustable shelves</b>	1	<b>Type of crisper/vegetable drawers cover</b>	Glass
<b>Number of fruit and vegetables drawers</b>	1	<b>N° de lâmpadas</b>	
<b>Type of adjustable shelves</b>	Glass	<b>Life Plus zone-0°C</b>	No
<b>Type of crisper/vegetable drawers cover</b>	Standard	<b>Compartimento baixa temperatura</b>	No
<b>Crisper Cover</b>	Yes	<b>Internal light in fridge</b>	Yes
<b>Bottle shelf</b>	No	<b>Type of internal light (fridge)</b>	LED

## Refrigerator Inner Door

Number of adjustable door shelves	2	No. of bottle shelves	1
-----------------------------------	---	-----------------------	---

## Other Refrigerator features

Natural Plus Blu Light	No	Tecnologia de titânio	No
MultiFlow	No	Filtro de odor antibacteriano	No
Fan	No	Zona de cuidados biológicos	No
Ionizer	No		


## Freezer compartment features

Internal freezer compartment	Yes	Internal light in freezer	No
------------------------------	-----	---------------------------	----

## Other technical features

Ligação à rede de água	No
Power on lamp	No
Temperature alarm lamp	No
Door open alarm	No
Temperature Alarm	No
Type of temperature control	Electro-mechanical
No. of compressors	1
Refrigerant gas type	R600a
Type of compressor	Standard
Refrigerant Quantity (gr)	25 g
Espuma expansiva de isolamento	Ciclopentano

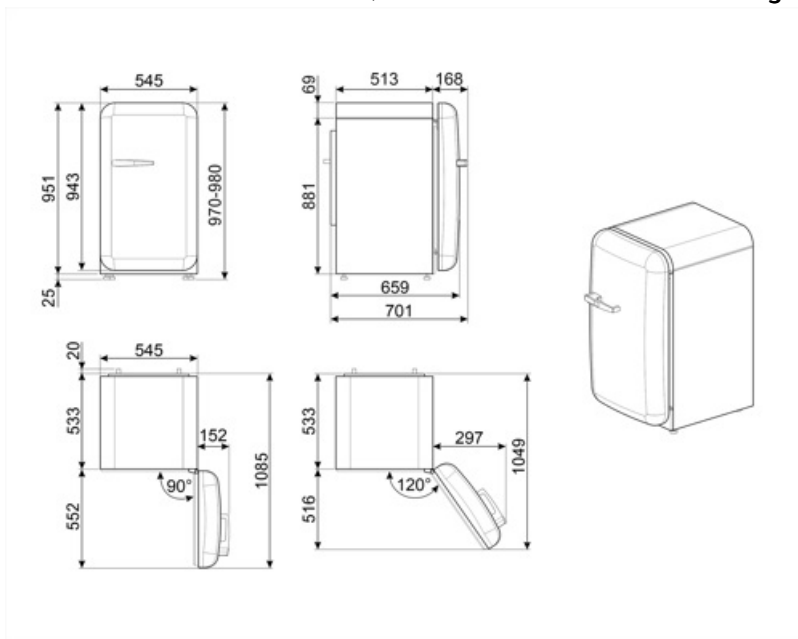
## Etiqueta de Desempenho / Energia - Reg. 2019

			
Consumo de energia anual	115 kWh/a	Airborne acoustical noise emissions	35 dB(A) re 1 pW
Classe de eficiência energética	D	Autonomia de conservação sem energia elétrica	6 h
Classe de emissão de ruído acústico aerotransportado	B	4 estrelas - Capacidade de congelamento	2.6 Kg/24h
Volume líquido total	122 l	Classe climática	N, ST, T
Soma dos volumes do(s) compartimento(s) congelado(s)	17 l	EEl	79 %

Soma dos volumes do(s) 105 l  
 compartimento(s)  
 refrigerado(s) e do(s)  
 compartimento(s) não  
 congelado(s)

## Electrical Connection

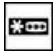



Plug	(F;E) Schuko	Voltage (V)	220-240 V
Electrical connection rating	50 W	Frequency (Hz)	50 Hz
Current	0,42 A	Power supply cable length	180 cm



---

## Symbols glossary

---

- |  |   |   |  |
|--|---|---|--|
|  | Compartimento de congelamento de 4 estrelas para uma melhor preservação dos alimentos.                                    |  | O sistema de descongelamento automático funciona descongelando automaticamente em intervalos regulares, eliminando a necessidade de descongelar completamente. |
|  | Iluminação interior LED: é uma forma mais eficiente em termos energéticos e duradoura de iluminar o interior do aparelho. |  | Classe de eficiência energética D  |

## Benefit (TT)

---

### Refrigerant gas R600a

Environmentally friendly R600a refrigerant gas contributes to rapid cooling with lower energy consumption

### Climate class

Climatic class SN-T makes the appliance suitable for working at room temperature between 10 °C and 43 °C (50 °F ~ 109 °F)

### External handle

The external handle ensures practicality and ease of use of the refrigerator

### Refrigerator Internal lighting

Interior lighting for perfect visibility of shelves in the refrigerator compartment

### Fruit and vegetable drawer

The fruit and vegetable drawer ensures the best storage conditions for fresh food, avoiding any contamination