

FAB10RDUJ2



Product Family	Refrigerator
Installation	Free Standing
Category	One Door
Cooling type	Static
Defrost	Automatic for refrigerator, manual for freezer
Hinge type	Standard
Hinge position	Right
EAN code	8017709275723



Aesthetics

Aesthetics	50's Style	Handle type	Fixed
Colour	Decorated / Special	Handle colour	Chrome
Finishing	Gloss	Logo colour	Chrome
Decoration / Special colour	Union Jack	Side material	Steel
Design	Rounded	Side colour	Blue
Material	Heat-moulded	Logo	Applied
Handle	External	Colori disponibili	Orange, Pastel blue, White, Black, Cream, Pink, Red, Pastel green, Decorated / Special

Refrigerator compartment features



No. of adjustable shelves	2	Crisper Cover	Yes
Number of fruit and vegetables drawers	1	Type of crisper/vegetable drawers cover	Glass
Type of adjustable shelves	Glass	Internal light in fridge	Yes
Type of crisper/vegetable drawers cover	Standard	Type of internal light (fridge)	LED

Refrigerator Inner Door

No. of door shelves with transparent cover	1	No. of bottle shelves	1
--	---	-----------------------	---

Number of adjustable door shelves 1

Other Refrigerator features

Accessories Bottle holder, Egg tray

Freezer compartment features

Internal freezer compartment Yes

Other technical features



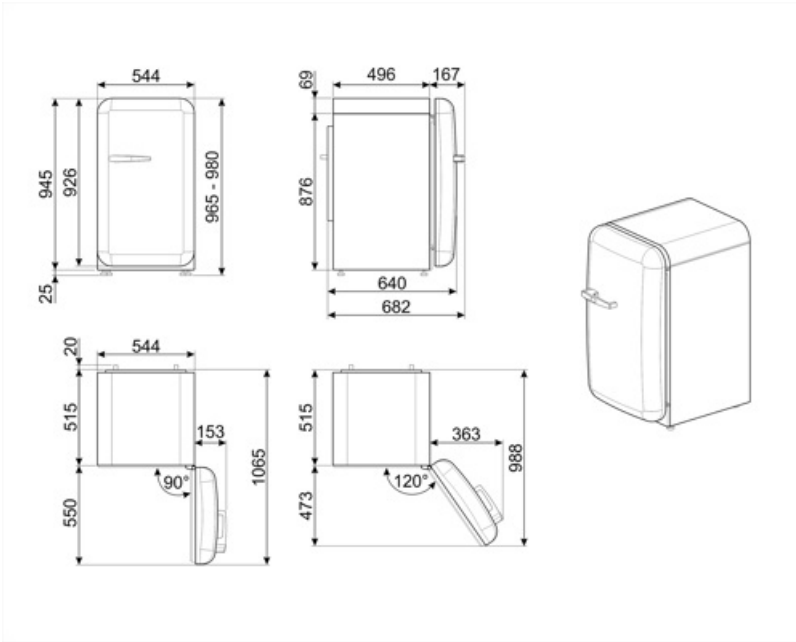
Freezer compartment accessories	Ice cube tray
Antibacterial Gasket	Yes
Type of temperature control	Electro-mechanical
No. of compressors	1
Refrigerant gas type	R600a
Type of compressor	Standard
Refrigerant Quantity (gr)	18 g
Foam agent	Cyclopentane

Performance / Energy Label

Noise level	37 dB(A) re 1 pW	Climatic class	SN, N, ST, T
-------------	------------------	----------------	--------------

Electrical Connection

Plug	(F;E) Schuko	Voltage (V)	220-240 V
Current	0,3 A	Frequency (Hz)	50 Hz



Symbols glossary



4 stars freezing compartment for better food preservation.



The automatic defrost system works by automatically defrosting at regular intervals eliminating the need to defrost altogether.



LED interior lighting: is a more energy efficient and long lasting way of illuminating the interior of the appliance.



A++: Energy efficiency class A++ helps to save up to 20% energy compared to class A. Maximum performance with minimum consumption is guaranteed.



Antibacterial treatment: antibacterial treatment to ensure better hygiene