

# FAB10RO



Product Family	Refrigerator
Installation	Free Standing
Category	One Door
Cooling type	Static
Defrost	Automatic for refrigerator, manual for freezer
Hinge type	Standard
Hinge position	Right
EAN code	8017709133139



## Aesthetics

Aesthetics	50's Style	Logo colour	Chrome
Colour	Orange	Side material	Steel
Finishing	Gloss	Side colour	Orange
Design	Rounded	Logo	Applied
Material	Heat-moulded	Display position	
Handle	External	Colori disponibili	White, Black, Cream, Red, Decorated / Special
Handle type	Fixed	Available colours	FAB10RR, FAB10RB, FAB10RUJ, FAB10RNE, FAB10RP
Handle colour	Chrome		

## Refrigerator compartment features



No. of adjustable shelves	2	Crisper Cover	Yes
Number of fruit and vegetables drawers	1	Type of crisper/vegetable drawers cover	Glass
Type of adjustable shelves	Glass	Internal light in fridge	Yes
Type of crisper/vegetable drawers cover	Standard	Type of internal light (fridge)	LED

## Refrigerator Inner Door

No. of door shelves with transparent cover	1	No. of bottle shelves	1
--	---	-----------------------	---

Number of adjustable door shelves 1

## Other Refrigerator features

Accessories Bottle holder, Egg tray Ionizer

## Freezer compartment features

Internal freezer compartment Yes

## Other technical features



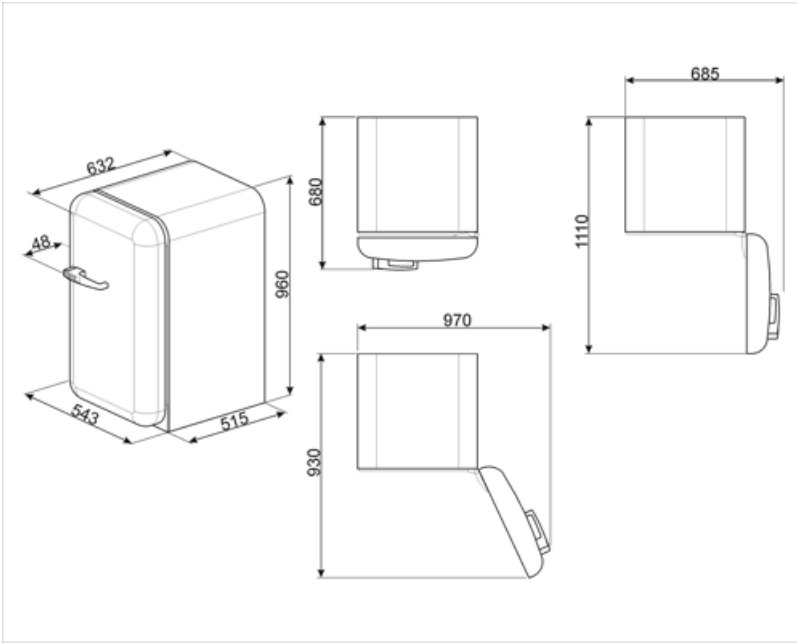
Freezer compartment accessories	Ice cube tray
Water network connection	
Antibacterial Gasket	Yes
Type of temperature control	Electro-mechanical
No. of compressors	1
Refrigerant gas type	R600a
Type of compressor	Standard
Refrigerant Quantity (gr)	17 g
Foam agent	Cyclopentane

## Performance / Energy Label

Noise level 37 dB(A) re 1 pW Climatic class SN

## Electrical Connection

Plug	(F;E) Schuko	Frequency (Hz)	50 Hz
Current	0,42 A	Power supply cable length	170 cm
Voltage (V)	220-240 V		



---

## Symbols glossary

---



4 stars freezing compartment for better food preservation.



The automatic defrost system works by automatically defrosting at regular intervals eliminating the need to defrost altogether.



Antibacterial treatment: antibacterial treatment to ensure better hygiene



A+: Energy efficiency class A+ helps to save up to 10% energy compared to class A. Maximum performance with minimum consumption is guaranteed.



LED interior lighting: is a more energy efficient and long lasting way of illuminating the interior of the appliance.

## Benefit

---

### **Refrigerant gas R600a**

Environmentally friendly R600a refrigerant gas contributes to rapid cooling with lower energy consumption

### **Climate class**

Climatic class SN-T makes the appliance suitable for working at room temperature between 10 °C and 43 °C (50 °F ~ 109 °F)

### **External handle**

The external handle ensures practicality and ease of use of the refrigerator

### **Refrigerator Internal lighting**

Interior lighting for perfect visibility of shelves in the refrigerator compartment

### **Fruit and vegetable drawer**

The fruit and vegetable drawer ensures the best storage conditions for fresh food, avoiding any contamination