

# FAB10ROR6



Product Family	Refrigerator
Installation	Free standing
Category	One Door
Reference width	Until 60
Reference height	Until 100
Cooling type	Static
Defrost	Automatic for refrigerator, manual for freezer
Hinge type	Standard
Hinge position	Right
EAN code	8017709342432



## Aesthetics

Aesthetic	50's Style	Handle colour	Chrome
Colour	Orange	Logo colour	Chrome
Finishing	Glossy	Side material	Steel
Design	Rounded	Side colour	Orange
Material	Heat-moulded	Logo	Applied
Handle	External	Door shelves profile color	Silver
Handle type	Fixed	Color of glass shelf profile	Silver

## Refrigerator compartment features



Number of compartments	1	Crisper Cover	Yes
Compartment types	Fruit and vegetable compartment	Type of crisper/vegetable drawers cover	Glass
No. of adjustable shelves	1	No. of lights refrigerator compartment	1
Number of fruit and vegetables drawers	1	Internal light in fridge	Yes
Type of adjustable shelves	Glass	Type of internal light (fridge)	LED
Type of crisper/vegetable drawers cover	Standard		

## Refrigerator Inner Door

<b>Number of adjustable door shelves</b>	<b>2</b>	<b>No. of bottle shelves</b>	<b>1</b>
--	----------	------------------------------	----------


## Freezer compartment features

<b>Internal freezer compartment</b>	<b>Yes</b>
-------------------------------------	------------

## Other technical features

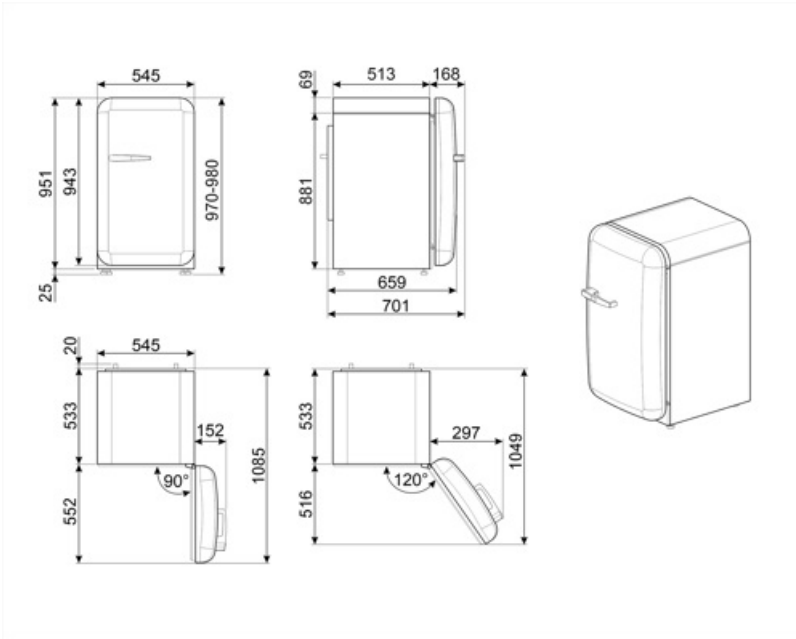
<b>Type of temperature control</b>	Electro-mechanical
<b>No. of compressors</b>	1
<b>Refrigerant gas type</b>	R600a
<b>Type of compressor</b>	Standard
<b>Refrigerant Quantity (gr)</b>	25 g
<b>Foam agent</b>	Cyclopentane

## Performance / Energy Label - Reg. 2019

			
<b>Annual energy consumption</b>	115 kWh/a	<b>Airborne acoustical noise emissions</b>	35 dB(A) re 1 pW
<b>Energy efficiency class</b>	D	<b>Temperature Rise Time</b>	6 h
<b>Airborne acoustical noise emission class</b>	B	<b>4 star - Freezing capacity</b>	2,6 Kg/24h
<b>Total net volume</b>	122 l	<b>Climate class</b>	N, ST, T
<b>Sum of the volumes of the frozen compartment(s)</b>	17 l	<b>EI</b>	79 %
<b>Sum of the volumes of the chill compartment(s) and the unfrozen compartment(s)</b>	105 l		

## Electrical Connection

<b>Plug</b>	(F;E) Schuko	<b>Voltage (V)</b>	220-240 V
<b>Electrical connection rating</b>	50 W	<b>Frequency (Hz)</b>	50 Hz
<b>Current</b>	0,42 A	<b>Power supply cable length</b>	180 cm



---

## Alternative products

---



**FAB10RDUJ6**

**Hinge position:** Right  
Decorated / Special



**FAB10RRD6**

**Hinge position:** Right  
Red



**FAB10RPG6**

**Hinge position:** Right  
Pastel green



**FAB10RPK6**

**Hinge position:** Right  
Pink



**FAB10RWH6**

**Hinge position:** Right  
White



**FAB10RPB6**

**Hinge position:** Right  
Pastel blue



**FAB10RCR6**

**Hinge position:** Right  
Cream



**FAB10RBL6**

**Hinge position:** Right  
Black

---

## Symbols glossary

---



4 stars freezing compartment for better food preservation.



The automatic defrost system works by automatically defrosting at regular intervals eliminating the need to defrost altogether.



LED interior lighting: is a more energy efficient and long lasting way of illuminating the interior of the appliance.



Energy efficiency class D

## Benefit (TT)

---

### **Refrigerant gas R600a**

Environmentally friendly R600a refrigerant gas contributes to rapid cooling with lower energy consumption

### **Climate class**

Climatic class SN-T makes the appliance suitable for working at room temperature between 10 °C and 43 °C (50 °F ~ 109 °F)

### **External handle**

The external handle ensures practicality and ease of use of the refrigerator

### **Refrigerator Internal lighting**

Interior lighting for perfect visibility of shelves in the refrigerator compartment

### **Fruit and vegetable drawer**

The fruit and vegetable drawer ensures the best storage conditions for fresh food, avoiding any contamination