

# FAB10RPG6



Product Family	Refrigerator
Installation	Free standing
Category	One Door
Reference width	Until 60 cm
Reference height	Until 100 cm
Cooling type	Static
Defrost	Automatic for refrigerator, manual for freezer
Hinge type	Standard
Hinge position	Right
EAN code	8017709342456



## Aesthetics

Aesthetic	50's Style	Handle colour	Chrome
Colour	Pastel green	Logo colour	Chrome
Design	Rounded	Side material	Steel
Finishing	Glossy	Side colour	Pastel green
Material	Heat-moulded	Logo	Applied
Handle	External	Door shelves profile color	Silver
Handle type	Fixed	Color of glass shelf profile	Silver

## Refrigerator compartment features



Number of compartments	1	Crisper Cover	Yes
Compartment types	Fruit and vegetable compartment	Type of crisper/vegetable drawers cover	Glass
No. of adjustable shelves	1	No. of lights refrigerator compartment	1
Number of fruit and vegetables drawers	1	Internal light in fridge	Yes
Shelves material	Glass	Type of internal light (fridge)	LED
Type of crisper/vegetable drawers cover	Standard		

## Refrigerator Inner Door

<b>Number of adjustable door shelves</b>	<b>2</b>	<b>No. of bottle shelves</b>	<b>1</b>
--	----------	------------------------------	----------


## Freezer compartment features

<b>Internal freezer compartment</b>	<b>Yes</b>
-------------------------------------	------------

## Other technical features

<b>Type of temperature control</b>	Electro-mechanical
<b>No. of compressors</b>	1
<b>Refrigerant gas type</b>	R600a
<b>Type of compressor</b>	Standard
<b>Refrigerant Quantity (g)</b>	25 g
<b>Foam agent</b>	Cyclopentane

## Performance / Energy Label - Reg. 2019

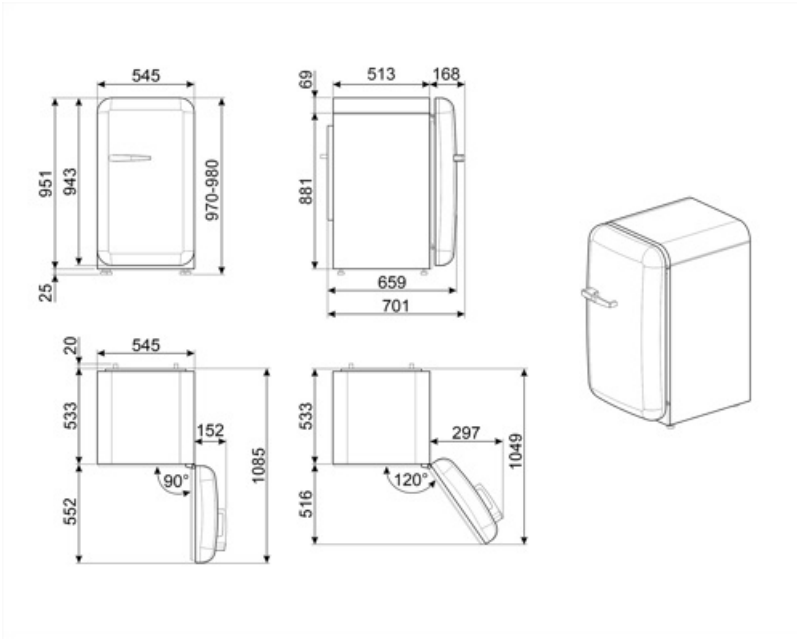
			
<b>Annual energy consumption</b>	115 kWh/a	<b>Airborne acoustical noise emissions</b>	35 dB(A) re 1 pW
<b>Energy efficiency class</b>	D	<b>Temperature Rise Time</b>	6 h
<b>Airborne acoustical noise emission class</b>	B	<b>4 star - Freezing capacity</b>	2.6 kg/24h
<b>Total net volume</b>	122 l	<b>Climate class</b>	N, ST, T
<b>Sum of the volumes of the frozen compartment(s)</b>	17 l	<b>EEl</b>	79 %
<b>Sum of the volumes of the chill compartment(s) and the unfrozen compartment(s)</b>	105 l		

## Electrical Connection

<b>Electrical connection rating</b>	50 W	<b>Frequency (Hz)</b>	50 Hz
<b>Current</b>	0.42 A	<b>Power supply cable length</b>	180 cm
<b>Voltage (V)</b>	220-240 V	<b>Plug</b>	(F;E) Schuko

## Logistic Information

<b>Width</b>	545 mm	<b>Product width with maximum doors opening</b>	842 mm
<b>Depth without handle</b>	659 mm	<b>Product depth with handle</b>	701 mm
<b>Height</b>	970 mm	<b>Product depth with doors open at 90°</b>	1085 mm



## Alternative products



**FAB10RDUJ6**

**Hinge position:** Right  
Decorated / Special



**FAB10RRD6**

**Hinge position:** Right  
Red



**FAB10RCR6**

**Hinge position:** Right  
Cream



**FAB10RDIF6**

**Hinge position:** Right  
Decorated / Special



**FAB10ROR6**

**Hinge position:** Right  
Orange



**FAB10RWH6**

**Hinge position:** Right  
White



**FAB10RPB6**

**Hinge position:** Right  
Pastel blue



**FAB10RPK6**

**Hinge position:** Right  
Pink



**FAB10RDSN6**

**Hinge position:** Right  
White







**FAB10RBL6**

**Hinge position:** Right  
Black

---

## Symbols glossary

---

- |  |   |   |   |
|--|---|---|---|
|  | 4 stars freezing compartment for better food preservation.  |  | The automatic defrost system works by automatically defrosting at regular intervals eliminating the need to defrost altogether. |
|  | LED interior lighting: is a more energy efficient and long lasting way of illuminating the interior of the appliance. |  | Energy efficiency class D   |