

FAB10RPK6



Product Family	Refrigerator
Installation	Free standing
Category	One Door
Reference width	Until 60 cm
Reference height	Until 100 cm
Cooling type	Static
Defrost	Automatic for refrigerator, manual for freezer
Hinge type	Standard
Hinge position	Right
EAN code	8017709342463



Aesthetics

Aesthetic	50's Style	Handle colour	Chrome
Colour	Pink	Logo colour	Chrome
Design	Rounded	Side material	Steel
Finishing	Glossy	Side colour	Pink
Material	Heat-moulded	Logo	Applied
Handle	External	Door shelves profile color	Silver
Handle type	Fixed	Color of glass shelf profile	Silver

Refrigerator compartment features



Number of compartments	1	Crisper Cover	Yes
Compartment types	Fruit and vegetable compartment	Type of crisper/vegetable drawers cover	Glass
No. of adjustable shelves	1	No. of lights refrigerator compartment	1
Number of fruit and vegetables drawers	1	Internal light in fridge	Yes
Shelves material	Glass	Type of internal light (fridge)	LED
Type of crisper/vegetable drawers cover	Standard		

Refrigerator Inner Door

No. of door shelves with transparent cover	1	No. of bottle shelves	1
Number of adjustable door shelves	1		


Freezer compartment features

Internal freezer compartment	Yes
------------------------------	-----

Other technical features

Type of temperature control	Electro-mechanical
No. of compressors	1
Refrigerant gas type	R600a
Type of compressor	Standard
Refrigerant Quantity (g)	25 g
Foam agent	Cyclopentane

Performance / Energy Label - Reg. 2019

			
Annual energy consumption	115 kWh/a	Airborne acoustical noise emissions	35 dB(A) re 1 pW
Energy efficiency class	D	Temperature Rise Time	6 h
Airborne acoustical noise emission class	B	4 star - Freezing capacity	2.6 kg/24h
Total net volume	122 l	Climate class	N, ST, T
Sum of the volumes of the frozen compartment(s)	17 l	EEl	79 %
Sum of the volumes of the chill compartment(s) and the unfrozen compartment(s)	105 l		

Electrical Connection

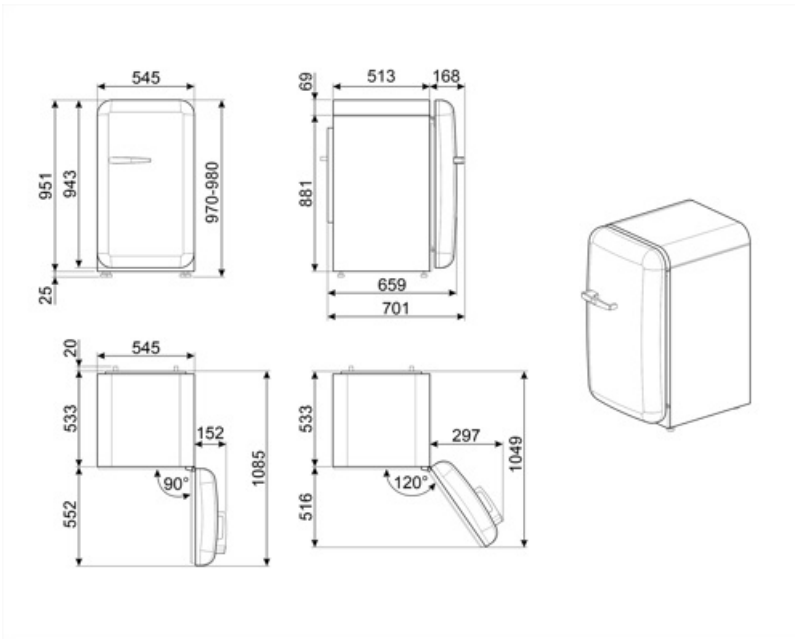
Electrical connection rating	50 W	Frequency (Hz)	50 Hz
Current	0.42 A	Power supply cable length	180 cm
Voltage (V)	220-240 V	Plug	(F;E) Schuko

Logistic Information

Width	545 mm	Product width with maximum doors opening	842 mm
Depth without handle	659 mm	Product depth with handle	701 mm
Height	970 mm		

Product depth with
doors open at 90°

1085 mm



Alternative products



FAB10RDUJ6

Hinge position: Right
Decorated / Special



FAB10RRD6

Hinge position: Right
Red



FAB10RPG6

Hinge position: Right
Pastel green



FAB10RDIF6

Hinge position: Right
Decorated / Special



FAB10ROR6

Hinge position: Right
Orange



FAB10RWH6

Hinge position: Right
White



FAB10RPB6

Hinge position: Right
Pastel blue



FAB10RCR6

Hinge position: Right
Cream



FAB10RDSN6

Hinge position: Right
White



FAB10RBL6

Hinge position: Right
Black

Symbols glossary



4 stars freezing compartment for better food preservation.



The automatic defrost system works by automatically defrosting at regular intervals eliminating the need to defrost altogether.



LED interior lighting: is a more energy efficient and long lasting way of illuminating the interior of the appliance.



Energy efficiency class D