

# FAB10RPK6



Product Family	Refrigerator
Installation	Free Standing
Category	One Door
Reference width	Until 60
Reference height	Until 100
Cooling type	Static
Defrost	Automatic for refrigerator, manual for freezer
Hinge type	Standard
Door opening flush with the wall	No
Slot-in	No
Hinge position	Right
Reversible door	No
EAN code	8017709342463



## Aesthetics

Aesthetic	Estilo anos '50	Side material	Steel
Colour	Pink	Side colour	Pink
Acabamento	Brilhante	Logotipo	Logotipo aplicado
Design	Rounded	Cor do perfil das prateleiras da porta	Silver
Material	Heat-moulded	Cor do perfil da prateleira de vidro	Silver
Handle kit to be ordered separately	No	Display	No
Handle	External	Dispenser	No
Handle type	Fixed	Water Filter	No
Handle colour	Chrome	HomeBar	No
Logo colour	Chrome		

## Refrigerator compartment features



No. of adjustable shelves	1	N° de lâmpadas	1
Number of fruit and vegetables drawers	1	Life Plus zone-0°C	No
Type of adjustable shelves	Glass	Convertible temperature drawer	No
Type of crisper/vegetable drawers cover	Standard	Compartimento baixa temperatura	No
Crisper Cover	Yes	Internal light in fridge	Yes
Bottle shelf	No	Type of internal light (fridge)	LED

Type of crisper/vegetable drawers cover Glass

## Refrigerator Inner Door

No. of door shelves with transparent cover	1	No. of bottle shelves	1
Number of adjustable door shelves	1	Bottle shelves with wire support	No
Adjustable door shelves with wire support	No		

## Other Refrigerator features

Natural Plus Blu Light	No	Tecnologia de titânio	No
MultiFlow	No	Filtro de odor antibacteriano	No
Fan	No	Zona de cuidados biológicos	No
Ionizer	No		

## Freezer compartment features

Internal freezer compartment	Yes	Type of internal light (freezer)	No
Internal light in freezer	No		

## Other technical features

Ligação à rede de água	No
Power on lamp	No
Temperature alarm lamp	No
Door open alarm	No
Temperature Alarm	No
Antibacterial Gasket	No
Type of temperature control	Electro-mechanical
No. of compressors	1
Refrigerant gas type	R600a
Type of compressor	Standard
Refrigerant Quantity (gr)	25 g
Espuma expansiva de isolamento	Ciclopentano

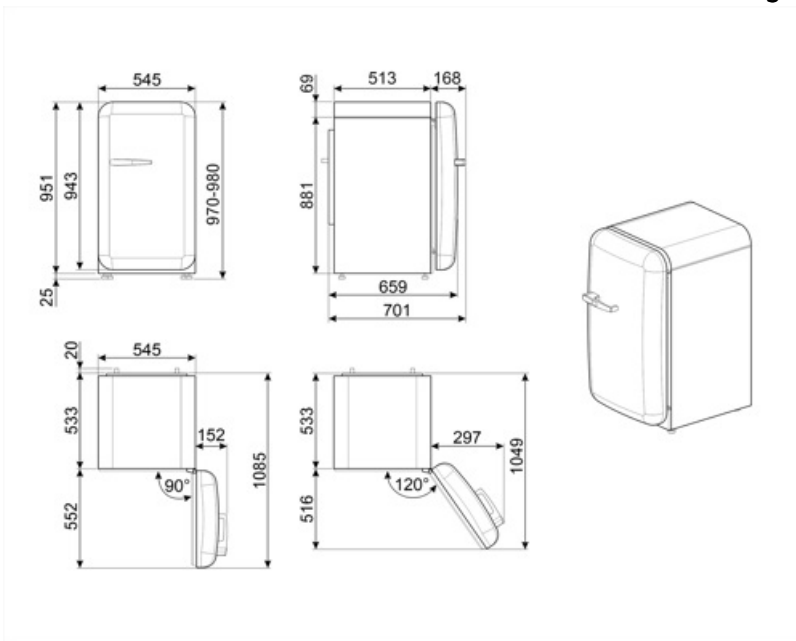
## Etiqueta de Desempenho / Energia - Reg. 2019

			
Consumo de energia anual	115 kWh/a	Airborne acoustical noise emissions	35 dB(A) re 1 pW

Classe de eficiência energética	D	Autonomia de conservação sem energia elétrica	6 h
Classe de emissão de ruído acústico aerotransportado	B	4 estrelas - Capacidade de congelamento	2.6 Kg/24h
Volume líquido total	122 l	Classe climática	N, ST, T
Soma dos volumes do(s) compartimento(s) congelado(s)	17 l	EEl	79 %
Soma dos volumes do(s) compartimento(s) refrigerado(s) e do(s) compartimento(s) não congelado(s)	105 l		

## Electrical Connection

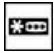



Plug	(F;E) Schuko	Voltage (V)	220-240 V
Electrical connection rating	50 W	Frequency (Hz)	50 Hz
Current	0,42 A	Power supply cable length	180 cm



---

## Symbols glossary

---

- |  |   |   |  |
|--|---|---|--|
|  | Compartimento de congelamento de 4 estrelas para uma melhor preservação dos alimentos.                                    |  | O sistema de descongelamento automático funciona descongelando automaticamente em intervalos regulares, eliminando a necessidade de descongelar completamente. |
|  | Iluminação interior LED: é uma forma mais eficiente em termos energéticos e duradoura de iluminar o interior do aparelho. |  | Classe de eficiência energética D  |

---

## Benefit (TT)

---

### **Refrigerant gas R600a**

Environmentally friendly R600a refrigerant gas contributes to rapid cooling with lower energy consumption

### **Climate class**

Climatic class SN-T makes the appliance suitable for working at room temperature between 10 °C and 43 °C (50 °F ~ 109 °F)

### **External handle**

The external handle ensures practicality and ease of use of the refrigerator

### **Refrigerator Internal lighting**

Interior lighting for perfect visibility of shelves in the refrigerator compartment

### **Fruit and vegetable drawer**

The fruit and vegetable drawer ensures the best storage conditions for fresh food, avoiding any contamination