

FAB10RRD6



| | |
|-------------------------|--|
| Product Family | Refrigerator |
| Installation | Free standing |
| Category | One Door |
| Reference width | Until 60 cm |
| Reference height | Until 100 cm |
| Cooling type | Static |
| Defrost | Automatic for refrigerator, manual for freezer |
| Hinge type | Standard |
| Hinge position | Right |
| EAN code | 8017709342487 |



Aesthetics

| | | | |
|--------------------|--------------|-------------------------------------|---------|
| Aesthetic | 50's Style | Handle colour | Chrome |
| Colour | Red | Logo colour | Chrome |
| Design | Rounded | Side material | Steel |
| Finishing | Glossy | Side colour | Red |
| Material | Heat-moulded | Logo | Applied |
| Handle | External | Door shelves profile color | Silver |
| Handle type | Fixed | Color of glass shelf profile | Silver |

Refrigerator compartment features



| | | | |
|--|---------------------------------|--|-------|
| Number of compartments | 1 | Crisper Cover | Yes |
| Compartment types | Fruit and vegetable compartment | Type of crisper/vegetable drawers cover | Glass |
| No. of adjustable shelves | 1 | No. of lights refrigerator compartment | 1 |
| Number of fruit and vegetables drawers | 1 | Internal light in fridge | Yes |
| Shelves material | Glass | Type of internal light (fridge) | LED |
| Type of crisper/vegetable drawers cover | Standard | | |

Refrigerator Inner Door

| | | | |
|-----------------------------------|---|-----------------------|---|
| Number of adjustable door shelves | 2 | No. of bottle shelves | 1 |
|-----------------------------------|---|-----------------------|---|


Freezer compartment features

| | |
|------------------------------|-----|
| Internal freezer compartment | Yes |
|------------------------------|-----|

Other technical features

| | |
|-----------------------------|--------------------|
| Type of temperature control | Electro-mechanical |
| No. of compressors | 1 |
| Refrigerant gas type | R600a |
| Type of compressor | Standard |
| Refrigerant Quantity (g) | 25 g |
| Foam agent | Cyclopentane |

Performance / Energy Label - Reg. 2019

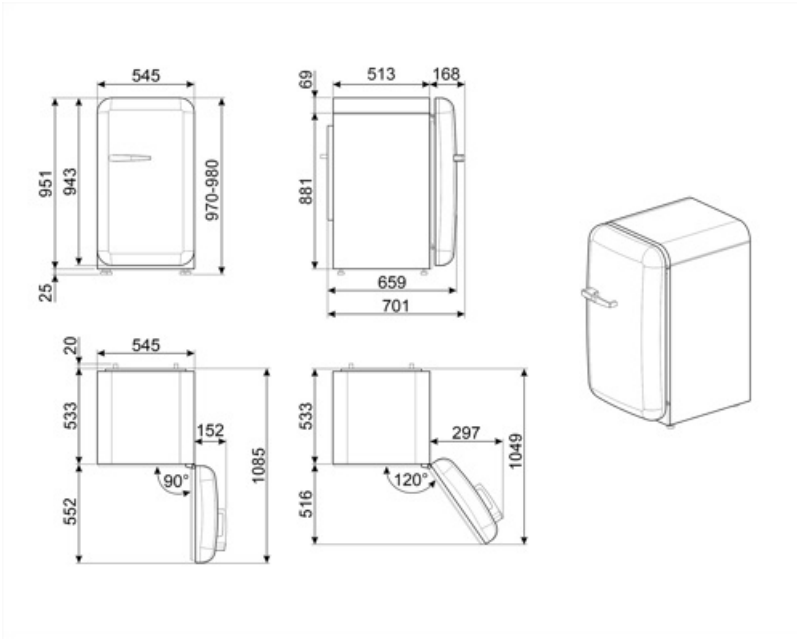
| | | | |
|--|-----------|-------------------------------------|------------------|
|  Annual energy consumption | 115 kWh/a | Airborne acoustical noise emissions | 35 dB(A) re 1 pW |
| Energy efficiency class | D | Temperature Rise Time | 6 h |
| Airborne acoustical noise emission class | B | 4 star - Freezing capacity | 2,6 kg/24h |
| Total net volume | 122 l | Climate class | N, ST, T |
| Sum of the volumes of the frozen compartment(s) | 17 l | EEl | 79 % |
| Sum of the volumes of the chill compartment(s) and the unfrozen compartment(s) | 105 l | | |

Electrical Connection

| | | | |
|------------------------------|-----------|---------------------------|--------------|
| Electrical connection rating | 50 W | Frequency (Hz) | 50 Hz |
| Current | 0,42 A | Power supply cable length | 180 cm |
| Voltage (V) | 220-240 V | Plug | (F;E) Schuko |

Logistic Information

| | | | |
|----------------------|--------|--|---------|
| Width | 545 mm | Product width with maximum doors opening | 842 mm |
| Depth without handle | 659 mm | Product depth with handle | 701 mm |
| Height | 970 mm | Product depth with doors open at 90° | 1085 mm |



Alternative products



FAB10RDUJ6

Hinge position: Right
Decorated / Special



FAB10RPB6

Hinge position: Right
Pastel blue



FAB10RCR6

Hinge position: Right
Cream



FAB10RDIF6

Hinge position: Right
Decorated / Special



FAB10ROR6

Hinge position: Right
Orange



FAB10RWH6

Hinge position: Right
White



FAB10RPG6

Hinge position: Right
Pastel green



FAB10RPK6

Hinge position: Right
Pink



FAB10RDSN6





Hinge position: Right
White



FAB10RBL6

Hinge position: Right
Black

Symbols glossary

- | | | | |
|--|---|---|---|
|  | 4 stars freezing compartment for better food preservation. |  | The automatic defrost system works by automatically defrosting at regular intervals eliminating the need to defrost altogether. |
|  | LED interior lighting: is a more energy efficient and long lasting way of illuminating the interior of the appliance. |  | Energy efficiency class D |