

FAB10URCR3



Product Family	Refrigerator
Installation	Free standing
Category	One Door
Cooling type	Static
Defrost	Automatic for refrigerator, manual for freezer
Hinge position	Right
EAN code	8017709314590



Aesthetics

Aesthetic	50's Style	Logo colour	Chrome
Colour	Cream	Side material	Steel
Finishing	Glossy	Side colour	Cream
Design	Rounded	Logo	Applied
Material	Heat-moulded	Door shelves profile color	Silver
Handle	External	Color of glass shelf profile	Silver
Handle colour	Chrome		

Refrigerator compartment features



No. of adjustable shelves	1	Crisper Cover	Yes
Number of fruit and vegetables drawers	1	Type of crisper/vegetable drawers cover	Glass
Type of adjustable shelves	Glass	Type of internal light (fridge)	LED
Type of crisper/vegetable drawers cover	Standard		

Refrigerator Inner Door

Number of adjustable door shelves	2	No. of bottle shelves	1
--	---	------------------------------	---

Freezer compartment features

Internal freezer compartment Yes

Other technical features

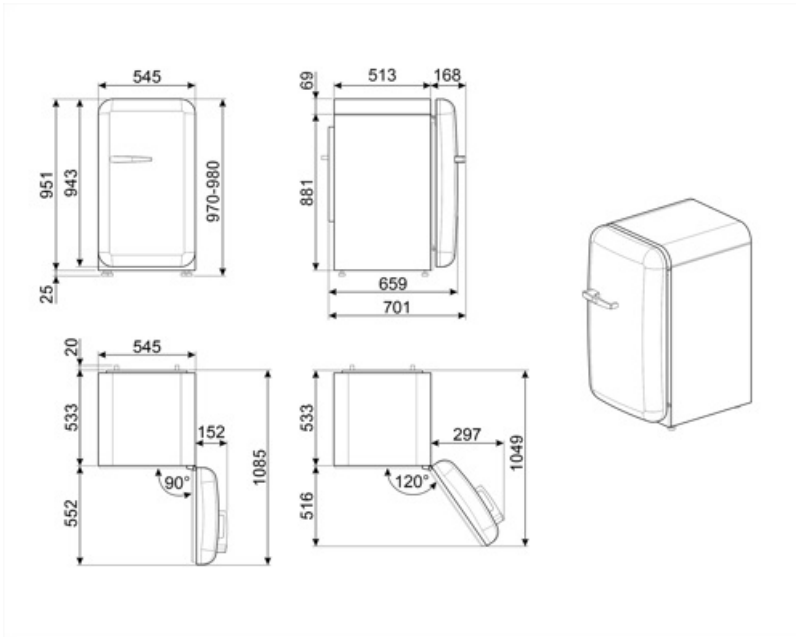
Type of temperature control	Electro-mechanical
No. of compressors	1
Refrigerant gas type	R600a
Foam agent	Cyclopentane

Performance / Energy Label - Reg. 2019

Total gross volume	4.48 cu. ft.	Fresh Food compartment - Gross Volume	3.85 cu. ft.
Airborne acoustical noise emissions	37 dB(A) re 1 pW	Climate class	SN, N, ST, T
Gross volume frozen food compartment	0.64 cu. ft.		

Electrical Connection

Plug	(A) USA e Messico	Voltage (V)	120 V
Electrical connection rating	110 W	Frequency (Hz)	60 Hz
Current	1,25 A	Power supply cable length	70 7/8 "



Symbols glossary



4 stars freezing compartment for better food preservation.



The automatic defrost system works by automatically defrosting at regular intervals eliminating the need to defrost altogether.



Energy efficiency class E



A++: Energy efficiency class A++ helps to save up to 20% energy compared to class A. Maximum performance with minimum consumption is guaranteed.



LED interior lighting: is a more energy efficient and long lasting way of illuminating the interior of the appliance.