

# FAB10URPG3



Product Family	Refrigerator
Installation	Free standing
Category	One Door
Defrost	Automatic for refrigerator, manual for freezer
Kitchen panel	Not supplied
Hinge position	Right
EAN code	8017709321444



## Aesthetics

Aesthetic	50's Style	Side material	Steel
Colour	Pastel green	Side colour	Pastel green
Finishing	Glossy	Logo	Applied
Handle	External	Door shelves profile color	Silver
Handle colour	Chrome	Color of glass shelf profile	Silver
Logo colour	Chrome		

## Refrigerator compartment features



No. of adjustable shelves	1	Crisper Cover	Yes
Number of fruit and vegetables drawers	1	Type of crisper/vegetable drawers cover	Glass
Type of adjustable shelves	Glass	Internal light in fridge	Yes
Type of crisper/vegetable drawers cover	Standard	Type of internal light (fridge)	LED

## Refrigerator Inner Door

Number of adjustable door shelves	2	No. of bottle shelves	1
-----------------------------------	---	-----------------------	---

## Freezer compartment features

Internal freezer compartment Yes

## Other technical features

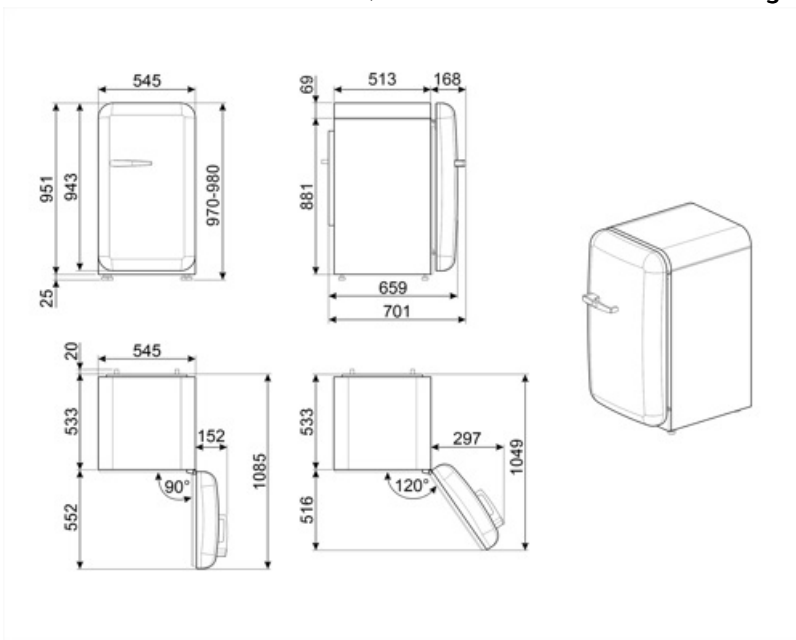
Type of temperature control	Electro-mechanical
No. of compressors	1
Refrigerant gas type	R600a
Type of compressor	Standard
Foam agent	Cyclopentane

## Performance / Energy Label - Reg. 2019

Total gross volume	4.48 cu. ft.	Fresh Food compartment - Gross Volume	3.85 cu. ft.
Airborne acoustical noise emissions	37 dB(A) re 1 pW	Climate class	SN, N, ST, T
Gross volume frozen food compartment	0.64 cu. ft.		

## Electrical Connection

Plug	(A) USA e Messico	Voltage (V)	120 V
Electrical connection rating	110 W	Frequency (Hz)	60 Hz
Current	1,25 A	Power supply cable length	70 7/8 "



---

## Symbols glossary (TT)

---



The automatic defrost system works by automatically defrosting at regular intervals eliminating the need to defrost altogether.



LED interior lighting: is a more energy efficient and long lasting way of illuminating the interior of the appliance.