

# FAB10URWH3



|                |  |
|----------------|--|
| Product Family | Refrigerator                                   |
| Installation   | Free standing                                  |
| Category       | One Door                                       |
| Defrost        | Automatic for refrigerator, manual for freezer |
| Hinge type     | Standard                                       |
| Kitchen panel  | Not supplied                                   |
| Hinge position | Right  |
| EAN code       | 8017709321420                                  |



## Aesthetics

|               |            |                              |         |
|---------------|------------|------------------------------|---------|
| Aesthetic     | 50's Style | Side material                | Steel   |
| Colour        | White      | Side colour                  | White   |
| Finishing     | Glossy     | Logo                         | Applied |
| Handle        | External   | Door shelves profile color   | Silver  |
| Handle colour | Chrome     | Color of glass shelf profile | Silver  |
| Logo colour   | Chrome     |                              |         |

## Refrigerator compartment features



|   |          |   |       |
|---|----------|---|-------|
| No. of adjustable shelves               | 1        | Crisper Cover                           | Yes   |
| Number of fruit and vegetables drawers  | 1        | Type of crisper/vegetable drawers cover | Glass |
| Type of adjustable shelves              | Glass    | Internal light in fridge                | Yes   |
| Type of crisper/vegetable drawers cover | Standard | Type of internal light (fridge)         | LED   |

## Refrigerator Inner Door

|                                   |   |                       |   |
|-----------------------------------|---|-----------------------|---|
| Number of adjustable door shelves | 2 | No. of bottle shelves | 1 |
|-----------------------------------|---|-----------------------|---|

## Freezer compartment features

Internal freezer compartment Yes

## Other technical features

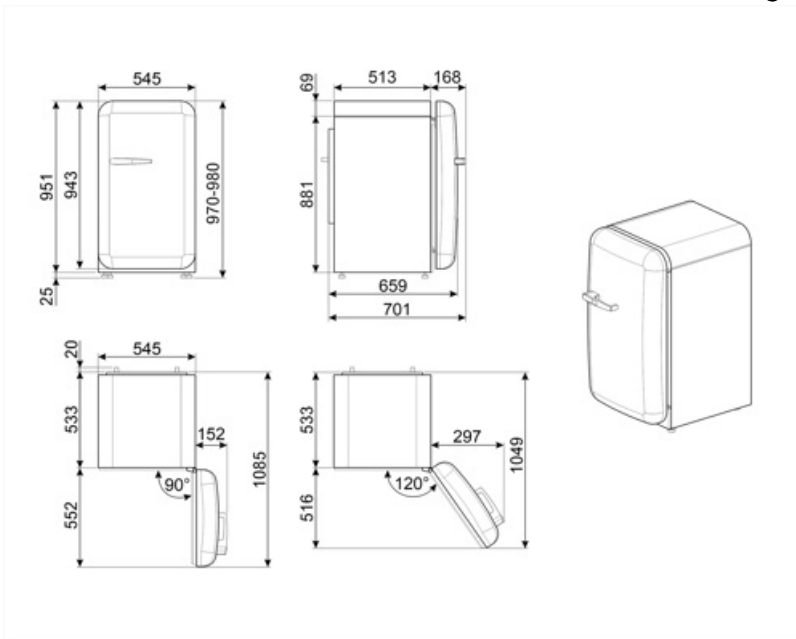
|                             |                    |
|-----------------------------|--------------------|
| Type of temperature control | Electro-mechanical |
| No. of compressors          | 1                  |
| Refrigerant gas type        | R600a              |
| Type of compressor          | Standard           |
| Foam agent                  | Cyclopentane       |

## Performance / Energy Label - Reg. 2019

|                                      |                  |                                       |              |
|--------------------------------------|------------------|---------------------------------------|--------------|
| Airborne acoustical noise emissions  | 37 dB(A) re 1 pW | Fresh Food compartment - Gross Volume | 3.85 cu. ft. |
| Gross volume frozen food compartment | 0.64 cu. ft.     | Climate class                         | SN, N, ST, T |

## Electrical Connection

|                              |                   |                           |          |
|------------------------------|-------------------|---------------------------|----------|
| Plug                         | (A) USA e Messico | Voltage (V)               | 120 V    |
| Electrical connection rating | 110 W             | Frequency (Hz)            | 60 Hz    |
| Current                      | 1,25 A            | Power supply cable length | 70 7/8 " |



---

## Symbols glossary

---



4 stars freezing compartment for better food preservation.



The automatic defrost system works by automatically defrosting at regular intervals eliminating the need to defrost altogether.



A++: Energy efficiency class A++ helps to save up to 20% energy compared to class A. Maximum performance with minimum consumption is guaranteed.



LED interior lighting: is a more energy efficient and long lasting way of illuminating the interior of the appliance.



Energy efficiency class E