

# FAB28RCG1



Product Family	Refrigerator
Installation	Free standing
Category	One Door
Cooling type	Fan assisted
Defrost	Automatic for refrigerator, manual for freezer
Hinge type	Standard
Hinge position	Right
EAN code	8017709157845



## Aesthetics

Aesthetic	50's Style	Handle colour	Chrome
Colour	Decorated / Special	Logo colour	Chrome
Finishing	Glossy	Side material	Steel
Design	Rounded	Side colour	Decorated / Special
Material	Heat-moulded	Logo	Applied
Handle	External	Alternative colours available	Orange, Pastel blue, White, Blue, Black, Cream, Pink, Red, Silver, Pastel green, Lime green, Decorated / Special
Handle type	Fixed		

## Refrigerator compartment features



No. of adjustable shelves	3	Bottle shelf	Yes
Number of fruit and vegetables drawers	1	Type of crisper/vegetable drawers cover	Glass
Type of adjustable shelves	Glass	Internal light in fridge	Yes
Type of crisper/vegetable drawers cover	Standard	Type of internal light (fridge)	LED
Crisper Cover	Yes		

## Refrigerator Inner Door

No. of bottle shelves	1
-----------------------	---

No. of door shelves with transparent cover	1	Bottle shelves with wire support	Yes
Number of adjustable door shelves	2		
Adjustable door shelves with wire support	Yes		

## Other Refrigerator features



Accessories	2 sliders	Fan	Yes
-------------	-----------	-----	-----

## Freezer compartment features

Internal freezer compartment	Yes
------------------------------	-----

## Other technical features

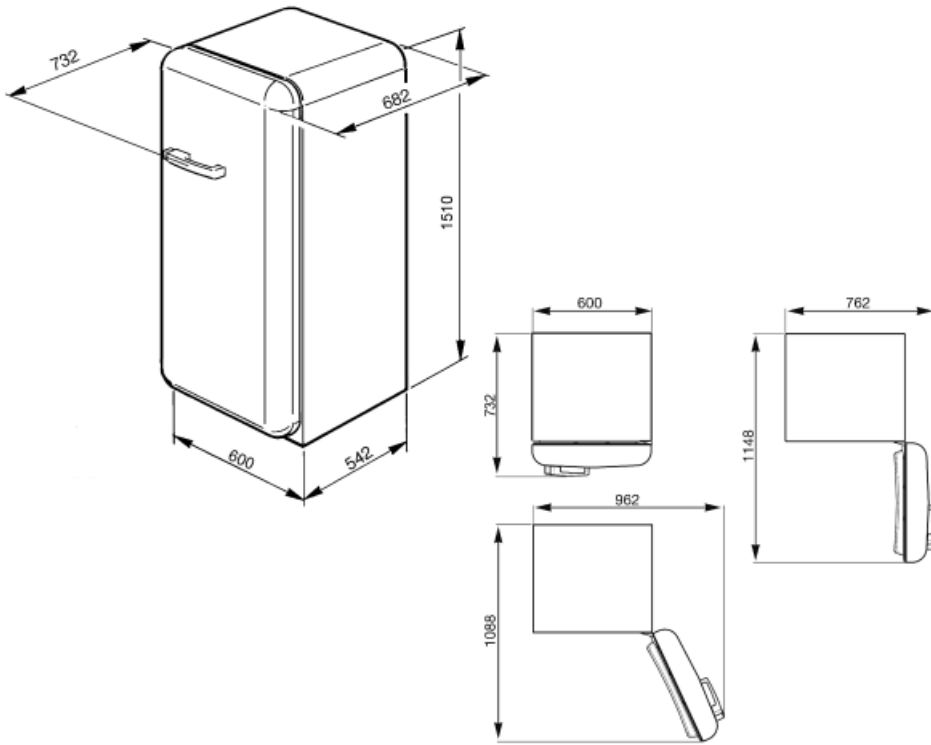
Freezer compartment accessories	Ice cube tray
Type of temperature control	Electro-mechanical
No. of compressors	1
Refrigerant gas type	R600a
Type of compressor	Standard
Refrigerant Quantity (gr)	44 g
Foam agent	Cyclopentane

## Performance / Energy Label - Reg. 2019

Airborne acoustical noise emissions	39 dB(A) re 1 pW	Climate class	SN, N, ST, T
-------------------------------------	------------------	---------------	--------------

## Electrical Connection

Plug	(F;E) Schuko	Voltage (V)	220-240 V
Electrical connection rating	90 W	Frequency (Hz)	50 Hz
Current	0,75 A	Power supply cable length	200 cm



---

## Symbols glossary (TT)

---



4 stars freezing compartment for better food preservation.



LED interior lighting: is a more energy efficient and long lasting way of illuminating the interior of the appliance.



The automatic defrost system works by automatically defrosting at regular intervals eliminating the need to defrost altogether.



Ventilated: Forced distribution of cold air in the refrigerator compartment, which allows even temperature distribution within the fridge.