

# FAB28RDB



Product Family	Refrigerator
Installation	Free Standing
Category	One Door
Cooling type	Fan assisted
Defrost	Automatic for refrigerator, manual for freezer
Hinge type	Standard
Hinge position	Right
Reversible door	No
EAN code	8017709165246



## Aesthetics

Aesthetic	Estilo anos '50	Handle colour	Black
Colour	Decorated / Special	Logo colour	Black
Acabamento	Brilhante	Side material	Steel
Decoration / Special colour	Blu Denim	Side colour	Decorated / Special
Colaborações	Smeg & Italia Independente	Logotipo	Logotipo aplicado
Design	Rounded	Display	No
Material	Heat-moulded	Mostrar porções	No
Handle kit to be ordered separately	No	Dispenser	No
Handle	External	HomeBar	No
Handle type	Fixed	Alternative colours available	Orange, Pastel blue, White, Blue, Black, Cream, Pink, Red, Silver, Pastel green, Lime green, Decorated / Special

## Refrigerator compartment features



No. of adjustable shelves	3	Bottle shelf	Yes
Number of fruit and vegetables drawers	1	Type of crisper/vegetable drawers cover	Glass
Type of adjustable shelves	Glass	Life Plus zone-0°C	No
Type of crisper/vegetable drawers cover	Standard	Internal light in fridge	Yes
Crisper Cover	Yes	Type of internal light (fridge)	LED

## Refrigerator Inner Door

No. of door shelves with transparent cover	1	No. of bottle shelves	1
Number of adjustable door shelves	2	Bottle shelves with wire support	Yes
Adjustable door shelves with wire support	Yes		

## Other Refrigerator features



Accessories	Bottle holder, 2 sliders	Fan Ionizer	Yes
Natural Plus Blu Light	No		
MultiFlow	No		

## Freezer compartment features

Internal freezer compartment	No	Internal light in freezer	No
------------------------------	----	---------------------------	----

## Other technical features

Freezer compartment accessories	Ice cube tray
Ligação à rede de água	No
Power on lamp	No
Temperature alarm lamp	No
Door open alarm	No
Temperature Alarm	No
Antibacterial Gasket	No
Type of temperature control	Electro-mechanical
No. of compressors	1
Refrigerant gas type	R600a
Type of compressor	Standard
Refrigerant Quantity (gr)	44 g
Espuma expansiva de isolamento	Ciclopentano

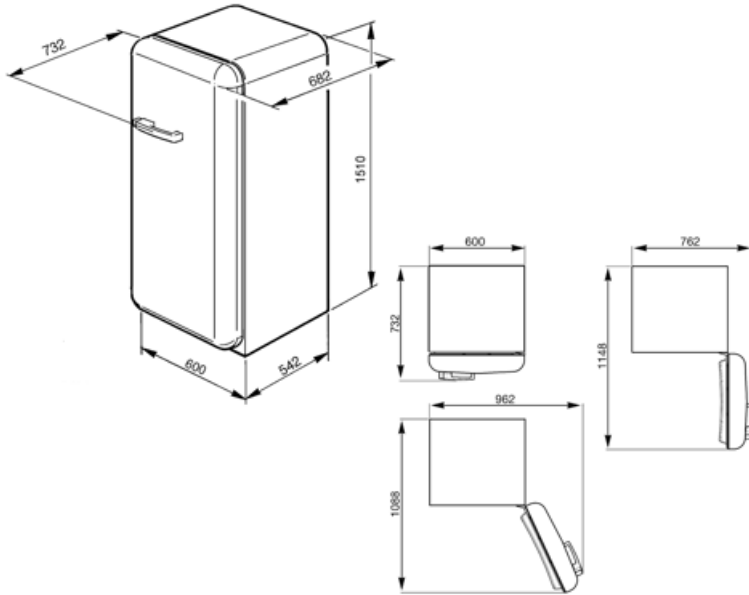
## Etiqueta de Desempenho / Energia - Reg. 2019

Airborne acoustical noise emissions	39 dB(A) re 1 pW	Classe climática	SN, N, ST, T
-------------------------------------	------------------	------------------	--------------

## Electrical Connection

---

<b>Plug</b>	(F;E) Schuko	<b>Voltage (V)</b>	220-240 V
<b>Electrical connection rating</b>	90 W	<b>Frequency (Hz)</b>	50 Hz
<b>Current</b>	0,75 A	<b>Power supply cable length</b>	200 cm



## Symbols glossary



Compartimento de congelamento de 4 estrelas para uma melhor preservação dos alimentos.



O sistema de descongelamento automático funciona descongelando automaticamente em intervalos regulares, eliminando a necessidade de descongelar completamente.



A++: A classe de eficiência energética A++ ajuda a economizar até 20% de energia em comparação com a classe A. O desempenho máximo com consumo mínimo é garantido.



Ventilado: Distribuição forçada de ar frio no compartimento da geladeira, o que permite uma distribuição uniforme da temperatura dentro da geladeira.



Iluminação interior LED: é uma forma mais eficiente em termos energéticos e duradoura de iluminar o interior do aparelho.

## Benefit (TT)

---

### **Fan**

The fan contributes to an even distribution of air inside the refrigerator

### **Refrigerant gas R600a**

Environmentally friendly R600a refrigerant gas contributes to rapid cooling with lower energy consumption

### **Climate class**

Climatic class SN-T makes the appliance suitable for working at room temperature between 10 °C and 43 °C (50 °F ~ 109 °F)

### **External handle**

The external handle ensures practicality and ease of use of the refrigerator

### **Refrigerator Internal lighting**

Interior lighting for perfect visibility of shelves in the refrigerator compartment

### **Fruit and vegetable drawer**

The fruit and vegetable drawer ensures the best storage conditions for fresh food, avoiding any contamination