

FAB28RDBLV5



| | |
|-------------------------|--|
| Product Family | Refrigerator |
| Installation | Free standing |
| Category | One Door |
| Reference width | Until 60 |
| Reference height | 100 - 160 |
| Cooling type | Fan assisted refrigerator, static freezer |
| Defrost | Automatic for refrigerator, manual for freezer |
| Hinge type | Standard |
| Hinge position | Right |
| EAN code | 8017709299125 |



Aesthetics

| | | | |
|------------------------------------|---------------------|-------------------------------------|---------------------|
| Aesthetic Colour | 50's Style | Handle colour | Chrome |
| Finishing | Decorated / Special | Logo colour | Chrome |
| Decoration / Special colour | Matt | Side material | Steel |
| Design | Black Velvet | Side colour | Decorated / Special |
| Material | Rounded | Logo | Applied |
| Handle | Heat-moulded | Door shelves profile color | Chrome |
| Handle type | External | Drawers profile color | Chrome |
| | Fixed | Color of glass shelf profile | Chrome |

Refrigerator compartment features



| | | | |
|--|------------------|--|-------|
| No. of adjustable shelves | 2 | Type of crisper/vegetable drawers cover | Glass |
| Number of fruit and vegetables drawers | 1 | Life Plus zone-0°C | Yes |
| Type of adjustable shelves | Glass | Internal light in fridge | Yes |
| Type of crisper/vegetable drawers cover | On sliding rails | Type of internal light (fridge) | LED |
| Crisper Cover | Yes | | |

Refrigerator Inner Door

| | | | |
|--|-----|----------------------------------|-----|
| No. of door shelves with transparent cover | 1 | No. of bottle shelves | 1 |
| Number of adjustable door shelves | 1 | Bottle shelves with wire support | Yes |
| Adjustable door shelves with wire support | Yes | | |

Other Refrigerator features



MultiFlow

Yes

Fan

Yes

Freezer compartment features

Internal freezer compartment

Yes

Other technical features



| | |
|-----------------------------|---------------------|
| Door open alarm | Acoustic and visual |
| Type of temperature control | Electronic |
| No. of compressors | 1 |
| Refrigerant gas type | R600a |
| Type of compressor | Inverter |
| Refrigerant Quantity (gr) | 32 g |
| Foam agent | Cyclopentane |

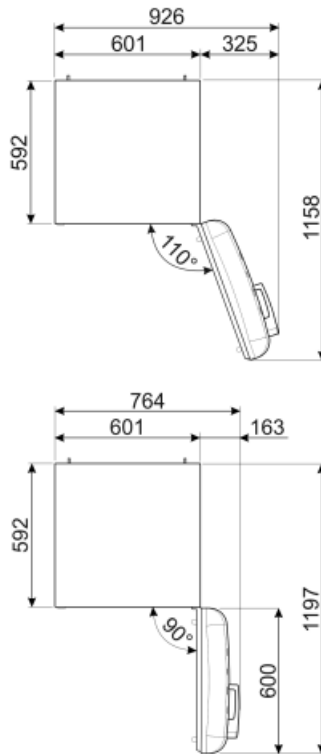
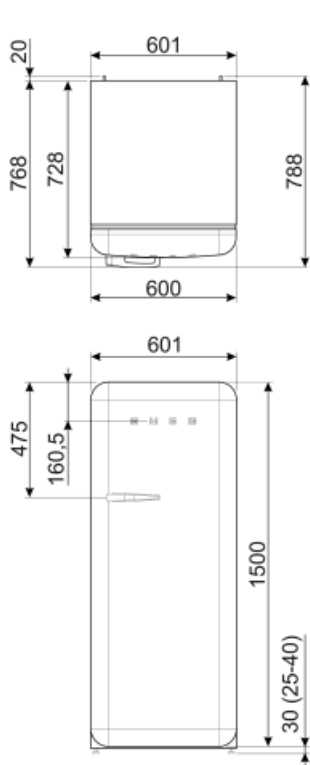
Performance / Energy Label NEW 2019



| | | | |
|--|-----------|-------------------------------------|------------------|
| Annual energy consumption | 130 kWh/a | Airborne acoustical noise emissions | 35 dB(A) re 1 pW |
| Energy efficiency class | D | Temperature Rise Time | 9 h |
| Airborne acoustical noise emission class | B | 4 star - Freezing capacity | 2.6 Kg/24h |
| Total net volume | 270 l | Climate class | SN, N, ST, T |
| Sum of the volumes of the frozen compartment(s) | 26 l | EEl | 79 % |
| Sum of the volumes of the chill compartment(s) and the unfrozen compartment(s) | 244 l | | |

Electrical Connection

| | | | |
|------------------------------|--------------|---------------------------|-----------|
| Plug | (F;E) Schuko | Voltage (V) | 220-240 V |
| Electrical connection rating | 90 W | Frequency (Hz) | 50/60 Hz |
| Current | 1 A | Power supply cable length | 180 cm |



Alternative products



FAB28DTP5

Hinge position: Right
Taupe



FAB28DRB5

Hinge position: Right
Ruby Red



FAB28LSV5

Hinge position: Left
Silver



FAB28LOR5

Hinge position: Left
Orange



FAB28RRD5

Hinge position: Right
Red



FAB28RPG5

Hinge position: Right
Pastel green



FAB28LRD5

Hinge position: Left
Red



FAB28LPG5

Hinge position: Left
Pastel green



FAB28RDUJ5

Hinge position: Right
Decorated / Special



FAB28LPK5

Hinge position: Left
Pink



FAB28LBL5

Hinge position: Left
Black



FAB28RDIT5

Hinge position: Right
Decorated / Special



FAB28RCR5

Hinge position: Right
Cream



FAB28RPB5

Hinge position: Right
Pastel blue



FAB28RYW5

Hinge position: Right
Yellow



FAB28LPB5

Hinge position: Left
Pastel blue



FAB28RBE5

Hinge position: Right
Blue



FAB28RDMC5

Hinge position: Right
Decorated / Special



FAB28LCR5

Hinge position: Left
Cream



FAB28RDMM5

Hinge position: Right
Decorated / Special



FAB28RWH5

Hinge position: Right
White



FAB28LYW5

Hinge position: Left
Yellow



FAB28RDEG5

Hinge position: Right
Emerald Green



FAB28LDUJ5

Hinge position: Left
Decorated / Special



FAB28RSV5

Hinge position: Right
Silver



FAB28RDBB5

Hinge position: Right
Decorated / Special



FAB28ROR5

Hinge position: Right
Orange



FAB28RBL5

Hinge position: Right
Black



FAB28RLI5

Hinge position: Right
Lime green



FAB28RPK5

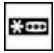








Hinge position: Right
Pink



FAB28LWH5

Hinge position: Left
White

Symbols glossary (TT)

| | | | |
|--|--|---|--|
|  | 4 stars freezing compartment for better food preservation. |  | The automatic defrost system works by automatically defrosting at regular intervals eliminating the need to defrost altogether. |
|  | A+++: Appliances with this symbol can reduce energy consumption by a further 30% from the standard A energy rating. |  | Ventilated: Forced distribution of cold air in the refrigerator compartment, which allows even temperature distribution within the fridge. |
|  | LED interior lighting: is a more energy efficient and long lasting way of illuminating the interior of the appliance. |  | Life Plus 0°C: The temperature in the Lifeplus compartments is kept at 0°C, which preserves fresh meat and fish longer. |
|  | Smeg's evolution towards more intelligent and eco-friendly models has led to the choice of Inverter technology, which significantly reduces consumption. |  | Multiflow Cooling System: the Multiflow ventilation system allows an even distribution of cool air around the fridge cabinet. |
|  | Energy efficiency class D | | |