

FAB28RDG



Product Family	Refrigerator
Installation	Free Standing
Category	One Door
Cooling type	Fan assisted
Hinge type	Standard
Hinge position	Right
Reversible door	No
EAN code	8017709182700



Aesthetics

Aesthetic	Estilo anos '50	Logo colour	Gold-Swarovski
Colour	Gold	Side material	Steel
Acabamento	Brilhante	Side colour	Gold
Design	Rounded	Logotipo	Logotipo aplicado
Material	Heat-moulded	Display	No
Handle kit to be ordered separately	No	Mostrar porções	
Handle	External	Dispenser	No
Handle type	Fixed	HomeBar	No
Handle colour	Gold		

Refrigerator compartment features



No. of adjustable shelves	3	Type of crisper/vegetable drawers cover	Glass
Type of adjustable shelves	Glass	Life Plus zone-0°C	No
Crisper Cover	Yes	Internal light in fridge	Yes
Bottle shelf	Yes	Type of internal light (fridge)	LED

Refrigerator Inner Door

No. of door shelves with transparent cover	1	No. of bottle shelves	1
--	---	-----------------------	---

Number of adjustable door shelves	2	Bottle shelves with wire support	Yes
Adjustable door shelves with wire support	Yes		

Other Refrigerator features



Accessories	Bottle holder, 2 sliders	Fan Ionizer	Yes
Natural Plus Blu Light	No		
MultiFlow	No		

Freezer compartment features

Internal freezer compartment	Yes	Internal light in freezer	No
------------------------------	-----	---------------------------	----

Other technical features

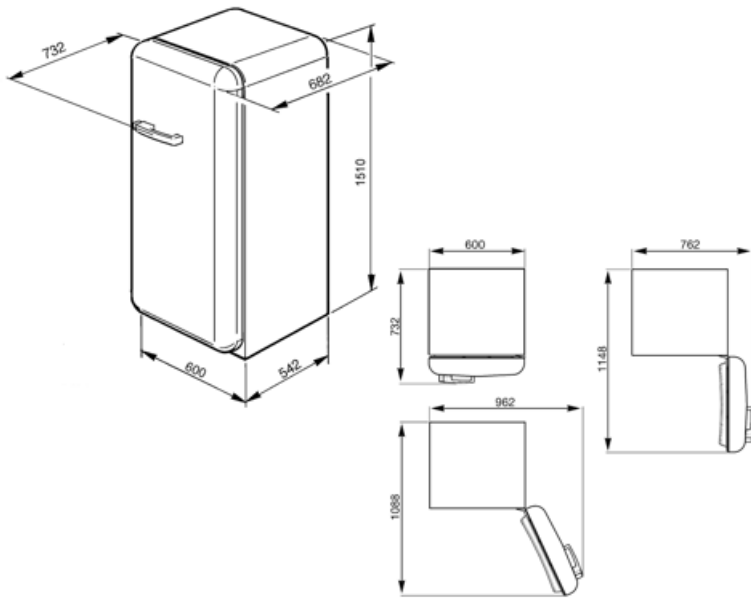
Freezer compartment accessories	Ice cube tray
Ligação à rede de água	
Power on lamp	No
Temperature alarm lamp	No
Type of temperature control	Electro-mechanical
No. of compressors	1
Refrigerant gas type	R600a
Refrigerant Quantity (gr)	44 g
Espuma expansiva de isolamento	Ciclopentano

Etiqueta de Desempenho / Energia - Reg. 2019

Airborne acoustical noise emissions	39 dB(A) re 1 pW	Classe climática	SN, N, ST, T
-------------------------------------	------------------	------------------	--------------

Electrical Connection

Plug	(F;E) Schuko	Voltage (V)	220-240 V
Electrical connection rating	90 W	Frequency (Hz)	50 Hz
Current	0,75 A	Power supply cable length	200 cm



Symbols glossary



Compartimento de congelamento de 4 estrelas para uma melhor preservação dos alimentos.



Ventilado: Distribuição forçada de ar frio no compartimento da geladeira, o que permite uma distribuição uniforme da temperatura dentro da geladeira.



A++: A classe de eficiência energética A++ ajuda a economizar até 20% de energia em comparação com a classe A. O desempenho máximo com consumo mínimo é garantido.



Iluminação interior LED: é uma forma mais eficiente em termos energéticos e duradoura de iluminar o interior do aparelho.

Benefit (TT)

Fan

The fan contributes to an even distribution of air inside the refrigerator

Refrigerant gas R600a

Environmentally friendly R600a refrigerant gas contributes to rapid cooling with lower energy consumption

Climate class

Climatic class SN-T makes the appliance suitable for working at room temperature between 10 °C and 43 °C (50 °F ~ 109 °F)

External handle

The external handle ensures practicality and ease of use of the refrigerator

Refrigerator Internal lighting

Interior lighting for perfect visibility of shelves in the refrigerator compartment