

# FAB28RDRU5



|                  |  |
|------------------|--|
| Product Family   | Refrigerator                                   |
| Installation     | Free standing                                  |
| Category         | One Door                                       |
| Reference width  | Until 60                                       |
| Reference height | 100 - 160                                      |
| Cooling type     | Fan assisted refrigerator, static freezer      |
| Defrost          | Automatic for refrigerator, manual for freezer |
| Hinge type       | Standard                                       |
| Hinge position   | Right  |
| EAN code         | 8017709330613                                  |



## Aesthetics

|               |              |                              |                     |
|---------------|--------------|------------------------------|---------------------|
| Aesthetic     | 50's Style   | Logo colour                  | Chrome              |
| Colour        | Rust         | Side material                | Steel               |
| Finishing     | Matt         | Side colour                  | Decorated / Special |
| Design        | Rounded      | Logo                         | Applied             |
| Material      | Heat-moulded | Door shelves profile color   | Chrome              |
| Handle        | External     | Drawers profile color        | Chrome              |
| Handle type   | Fixed        | Color of glass shelf profile | Chrome              |
| Handle colour | Chrome       |                              |                     |

## Refrigerator compartment features



|   |                  |   |       |
|---|------------------|---|-------|
| No. of adjustable shelves               | 2                | Type of crisper/vegetable drawers cover | Glass |
| Number of fruit and vegetables drawers  | 1                | Life Plus zone-0°C                      | Yes   |
| Type of adjustable shelves              | Glass            | Internal light in fridge                | Yes   |
| Type of crisper/vegetable drawers cover | On sliding rails | Type of internal light (fridge)         | LED   |
| Crisper Cover                           | Yes              |   |       |

## Refrigerator Inner Door

|                       |   |
|-----------------------|---|
| No. of bottle shelves | 1 |
|-----------------------|---|

|  |     |                                  |     |
|--|-----|----------------------------------|-----|
| No. of door shelves with transparent cover | 1   | Bottle shelves with wire support | Yes |
| Number of adjustable door shelves          | 1   |                                  |     |
| Adjustable door shelves with wire support  | Yes |                                  |     |

## Other Refrigerator features



|           |     |     |     |
|-----------|-----|-----|-----|
| MultiFlow | Yes | Fan | Yes |
|-----------|-----|-----|-----|

## Freezer compartment features

|                              |     |
|------------------------------|-----|
| Internal freezer compartment | Yes |
|------------------------------|-----|

## Other technical features



|                             |                     |
|-----------------------------|---------------------|
| Door open alarm             | Acoustic and visual |
| Type of temperature control | Electronic          |
| No. of compressors          | 1                   |
| Refrigerant gas type        | R600a               |
| Type of compressor          | Inverter            |
| Refrigerant Quantity (gr)   | 32 g                |
| Foam agent                  | Cyclopentane        |

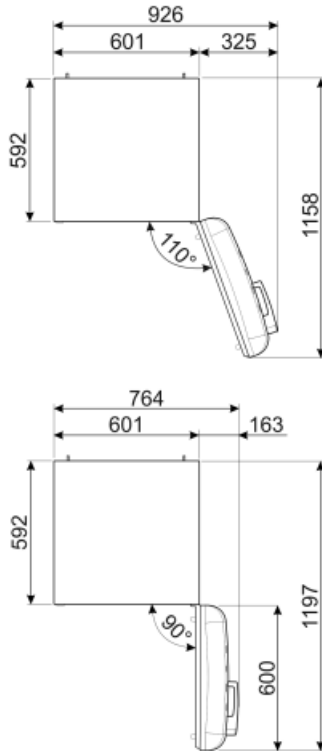
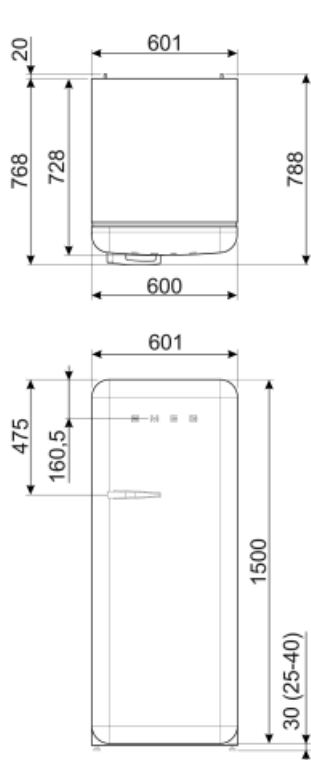
## Performance / Energy Label NEW 2019



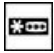








|  |           |                                     |                 |
|--|-----------|-------------------------------------|-----------------|
| Annual energy consumption  | 130 kWh/a | Airborne acoustical noise emissions | 35 dB(A) re 1pW |
| Energy efficiency class  | D         | Temperature Rise Time               | 9 h             |
| Airborne acoustical noise emission class                                       | B         | 4 star - Freezing capacity          | 2.6 Kg/24h      |
| Total net volume   | 270 l     | Climate class                       | SN, N, ST, T    |
| Sum of the volumes of the frozen compartment(s)                                | 26 l      | EEl                                 | 79 %            |
| Sum of the volumes of the chill compartment(s) and the unfrozen compartment(s) | 244 l     |                                     |                 |

## Electrical Connection

|                              |              |                           |           |
|------------------------------|--------------|---------------------------|-----------|
| Plug                         | (F;E) Schuko | Voltage (V)               | 220-240 V |
| Electrical connection rating | 90 W         | Frequency (Hz)            | 50/60 Hz  |
| Current                      | 1 A          | Power supply cable length | 180 cm    |



## Symbols glossary (TT)

|  |  |   |  |
|--|--|---|--|
|  | 4 stars freezing compartment for better food preservation.   |  | The automatic defrost system works by automatically defrosting at regular intervals eliminating the need to defrost altogether.                          |
|  | A+++: Appliances with this symbol can reduce energy consumption by a further 30% from the standard A energy rating.                        |  | Energy efficiency class D  |
|  | Ventilated: Forced distribution of cold air in the refrigerator compartment, which allows even temperature distribution within the fridge. |  | LED interior lighting: is a more energy efficient and long lasting way of illuminating the interior of the appliance.                                    |
|  | Life Plus 0°C: The temperature in the Lifepus compartments is kept at 0°C, which preserves fresh meat and fish longer.                     |  | Smeg's evolution towards more intelligent and eco-friendly models has led to the choice of Inverter technology, which significantly reduces consumption. |
|  | Multiflow Cooling System: the Multiflow ventilation system allows an even distribution of cool air around the fridge cabinet.              |   |  |