

FAB28RDSA5



| | |
|------------------|--|
| Product Family | Refrigerator |
| Installation | Free Standing |
| Category | One Door |
| Reference width | Until 60 |
| Reference height | 100 - 160 |
| Cooling type | Fan assisted refrigerator, static freezer |
| Defrost | Automatic for refrigerator, manual for freezer |
| Hinge type | Standard |
| Hinge position | Right |
| EAN code | 8017709333799 |



Aesthetics

| | | | |
|---------------|----------------|-------------------------------|---------------------|
| Aesthetics | 50's Style | Logo colour | Chrome |
| Colour | Sea Salt Green | Side material | Steel |
| Finishing | Matte | Side colour | Decorated / Special |
| Design | Rounded | Logo | Applied |
| Material | Heat-moulded | Door shelves profile colour | Chrome |
| Handle | External | Drawers profile colour | Chrome |
| Handle type | Fixed | Colour of glass shelf profile | Chrome |
| Handle colour | Chrome | | |

Refrigerator compartment features



| | | | |
|---|------------------|---|-------|
| No. of adjustable shelves | 2 | Type of crisper/vegetable drawers cover | Glass |
| Number of fruit and vegetables drawers | 1 | Life Plus zone-0°C | Yes |
| Type of adjustable shelves | Glass | Internal light in fridge | Yes |
| Type of crisper/vegetable drawers cover | On sliding rails | Type of internal light (fridge) | LED |
| Crisper Cover | Yes | | |

Refrigerator Inner Door

| | |
|-----------------------|---|
| No. of bottle shelves | 1 |
|-----------------------|---|

| | | | |
|--|-----|----------------------------------|-----|
| No. of door shelves with transparent cover | 1 | Bottle shelves with wire support | Yes |
| Number of adjustable door shelves | 1 | | |
| Adjustable door shelves with wire support | Yes | | |

Other Refrigerator features



| | | | |
|-----------|-----|-----|-----|
| MultiFlow | Yes | Fan | Yes |
|-----------|-----|-----|-----|

Freezer compartment features

| | |
|------------------------------|-----|
| Internal freezer compartment | Yes |
|------------------------------|-----|

Other technical features



| | |
|-----------------------------|---------------------------|
| Door open alarm | Acoustic and visual |
| Type of temperature control | Electronic |
| No. of compressors | 1 |
| Refrigerant gas type | R600a |
| Type of compressor | Variable Speed Compressor |
| Refrigerant Quantity (gr) | 32 g |
| Foam agent | Cyclopentane |

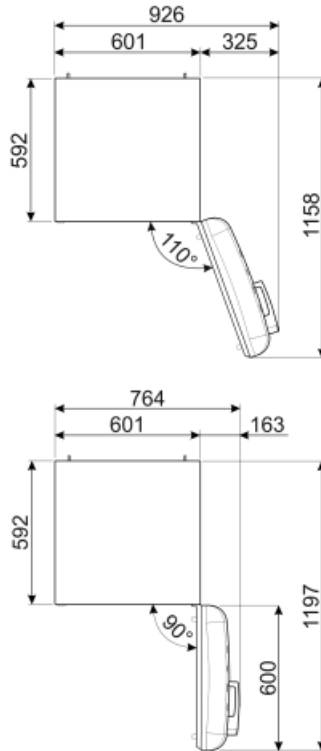
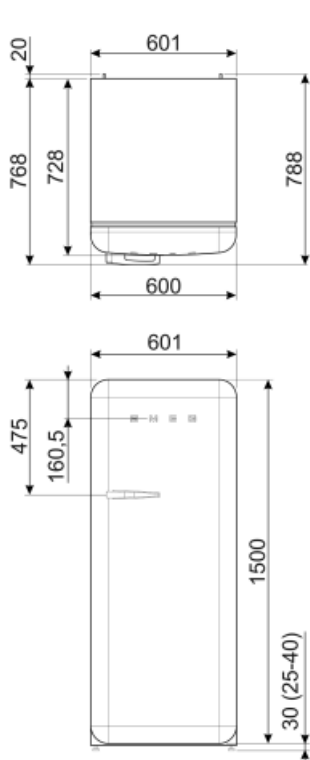
Performance / Energy Label NEW



| | | | |
|--|--------------|----------------------------|------------------|
| Annual energy consumption | 130 KWh/year | Noise level | 35 dB(A) re 1 pW |
| Energy efficiency class | D | Thaw time | 9 h |
| Airborne acoustical noise emission class | B | 4 star - Freezing capacity | 2.6 Kg/24h |
| Total volume | 270 l | Climatic class | SN, N, ST, T |
| Sum of the volumes of the frozen compartment(s) | 26 l | EI | 79 % |
| Sum of the volumes of the chill compartment(s) and the unfrozen compartment(s) | 244 l | | |

Electrical Connection

| | | | |
|----------------------|--------------|----------------------------------|-----------|
| Plug | (F;E) Schuko | Voltage (V) | 220-240 V |
| Nominal power | 90 W | Frequency (Hz) | 50/60 Hz |
| Current | 1 A | Power supply cable length | 180 cm |



Symbols glossary

-  4 stars freezing compartment for better food preservation.
-  The automatic defrost system works by automatically defrosting at regular intervals eliminating the need to defrost altogether.
-  LED interior lighting: is a more energy efficient and long lasting way of illuminating the interior of the appliance.
-  Inverter technology: The evolution of Smeg's driers towards more intelligent and environmentally sustainable models has led to the choice of using Inverter technology with heat pumps, which reduces significantly energy consumption.
-  Energy efficiency class D
-  A+++: Appliances with this symbol can reduce energy consumption by a further 30% from the standard A energy rating.
-  Ventilated: Forced distribution of cold air in the refrigerator compartment, which allows even temperature distribution within the fridge.
-  Life Plus 0°C: The temperature in the Lifeplus compartments is kept at 0°C, which preserves fresh meat and fish longer.
-  Air plus: keeps food fresher for longer.