

FAB28ULOR3



Product Family	Refrigerator
Installation	Free standing
Category	One Door
Defrost	Automatic for refrigerator, manual for freezer
Hinge position	Left
EAN code	8017709271787



Aesthetics

Aesthetic	50's Style	Logo	Applied
Colour	Orange	Door shelves profile color	Chrome
Finishing	Glossy	Drawers profile color	Chrome
Side material	Steel	Color of glass shelf profile	Chrome
Side colour	Orange		

Refrigerator compartment features



No. of adjustable shelves	3	Bottle shelf	Yes
Number of fruit and vegetables drawers	1	Type of crisper/vegetable drawers cover	Glass
Type of adjustable shelves	Glass	Life Plus zone-0°C	-2°C +3 °C
Type of crisper/vegetable drawers cover	On sliding rails	Internal light in fridge	Yes
Crisper Cover	Yes	Type of internal light (fridge)	LED

Refrigerator Inner Door

No. of door shelves with transparent cover	2	No. of bottle shelves	1
Number of adjustable door shelves	2	Bottle shelves with wire support	Yes

Adjustable door shelves Yes
with wire support

Freezer compartment features

Internal freezer compartment Yes

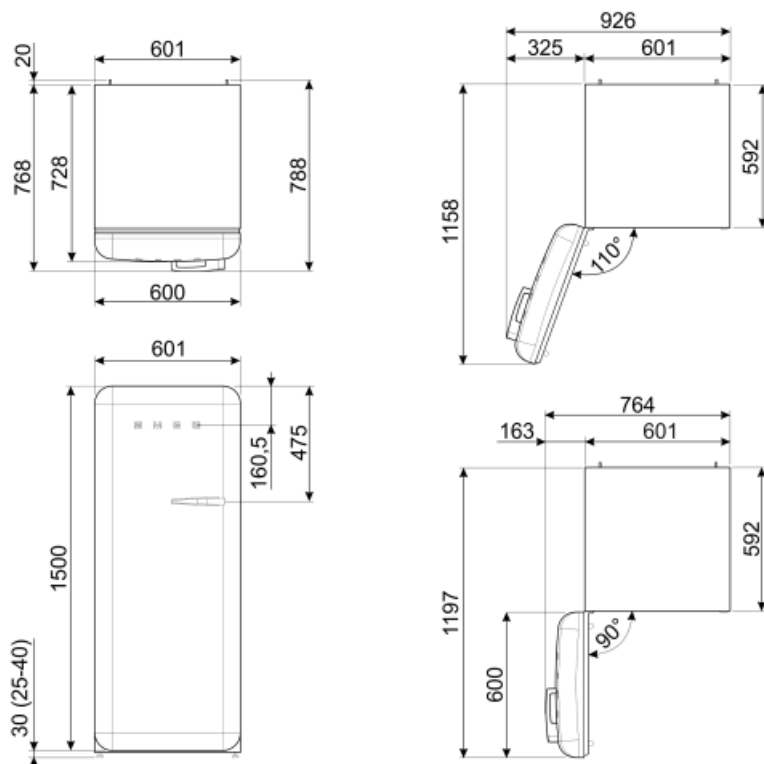
Other technical features



Door open alarm	Acoustic and visual
Type of temperature control	Electronic
No. of compressors	1
Refrigerant gas type	R600a
Type of compressor	Inverter
Foam agent	Cyclopentane

Electrical Connection

Plug	(A) USA e Messico	Frequency (Hz)	50/60 Hz
Current	2,2 A	Power supply cable length	70 7/8 "
Voltage (V)	120 V		



Symbols glossary (TT)



The automatic defrost system works by automatically defrosting at regular intervals eliminating the need to defrost altogether.



Life Plus 0°C: The temperature in the Lifeplus compartments is kept at 0°C, which preserves fresh meat and fish longer.



LED interior lighting: is a more energy efficient and long lasting way of illuminating the interior of the appliance.



Smeg's evolution towards more intelligent and eco-friendly models has led to the choice of Inverter technology, which significantly reduces consumption.