

# FAB30LOR5



Product Family	Refrigerator
Installation	Free standing
Category	Top Mount
Reference width	Until 60
Cooling type	Fan assisted refrigerator, static freezer
Defrost	Manual
Hinge type	Standard
Hinge position	Left
EAN code	8017709297671



## Aesthetics

Aesthetic	50's Style	Logo colour	Chrome
Colour	Orange	Side material	Steel
Finishing	Glossy	Side colour	Orange
Design	Rounded	Logo	Applied
Material	Heat-moulded	Door shelves profile color	Chrome
Handle	External	Drawers profile color	Chrome
Handle type	Fixed	Color of glass shelf profile	Chrome
Handle colour	Chrome	Alternative colours available	Orange, Pastel blue, White, Blue, Black, Cream, Pink, Red, Silver, Pastel green, Lime green

## Refrigerator compartment features



No. of adjustable shelves	2	Type of crisper/vegetable drawers cover	Glass
Number of fruit and vegetables drawers	1	Life Plus zone-0°C	Yes
Type of adjustable shelves	Glass	Internal light in fridge	Yes
Type of crisper/vegetable drawers cover	On sliding rails	Type of internal light (fridge)	LED
Crisper Cover	Yes		

## Refrigerator Inner Door

No. of door shelves with transparent cover	1	No. of bottle shelves	1
Number of adjustable door shelves	2	Bottle shelves with wire support	Yes
Adjustable door shelves with wire support	Yes		

## Other Refrigerator features



MultiFlow

Yes

Fan

Yes

## Freezer compartment features

No. of shelves	1	Type of shelves	Wire
----------------	---	-----------------	------

## Other technical features



Door open alarm	Acoustic and visual
Type of temperature control	Electronic
No. of compressors	1
Refrigerant gas type	R600a
Type of compressor	Inverter
Refrigerant Quantity (gr)	70 g
Foam agent	Cyclopentane

## Performance / Energy Label NEW 2019

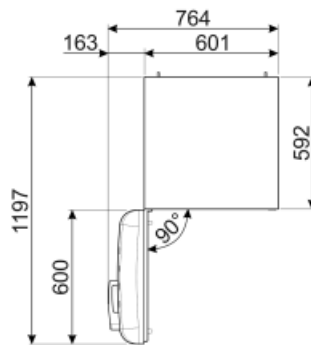
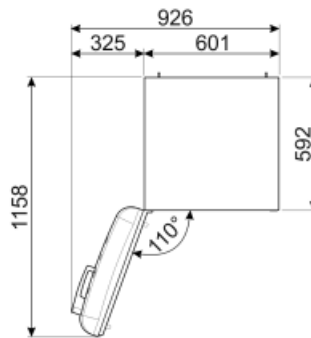
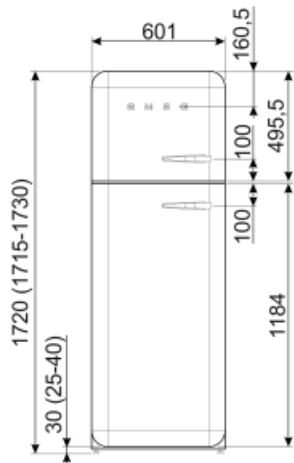
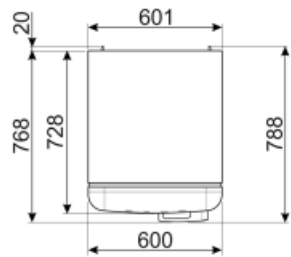


Annual energy consumption	168 kWh/a	Airborne acoustical noise emissions	37 dB(A) re 1pW
Energy efficiency class	D	Temperature Rise Time	30 h
Airborne acoustical noise emission class	C	4 star - Freezing capacity	4 Kg/24h
Total net volume	294 l	Climate class	SN, N, ST, T
Sum of the volumes of the frozen compartment(s)	72 l	EEl	80 %
Sum of the volumes of the chill compartment(s) and the unfrozen compartment(s)	222 l		

## Electrical Connection

**Plug** (F;E) Schuko  
**Electrical connection rating** 100 W  
**Current** 0.8 A

**Voltage (V)** 220-240 V  
**Frequency (Hz)** 50/60 Hz  
**Power supply cable length** 180 cm



## Alternative products



**FAB30LPK5**

**Hinge position:** Left  
Pink



**FAB30LSV5**

**Hinge position:** Left  
Silver



**FAB30LBL5**

**Hinge position:** Left  
Black



**FAB30LPG5**

**Hinge position:** Left  
Pastel green



**FAB30RLI5**

**Hinge position:** Right  
Lime green



**FAB30LPB5**

**Hinge position:** Left  
Pastel blue



**FAB30LRD5**

**Hinge position:** Left  
Red



**FAB30RRD5**

**Hinge position:** Right  
Red



**FAB30RPG5**

**Hinge position:** Right  
Pastel green



**FAB30RWH5**

**Hinge position:** Right  
White



**FAB30ROR5**

**Hinge position:** Right  
Orange



**FAB30RPK5**

**Hinge position:** Right  
Pink



**FAB30RCR5**

**Hinge position:** Right  
Cream



**FAB30RBL5**

**Hinge position:** Right  
Black



**FAB30RPB5**

**Hinge position:** Right  
Pastel blue



**FAB30LCR5**

**Hinge position:** Left  
Cream



**FAB30RSV5**

**Hinge position:** Right  
Silver



**FAB30LWH5**

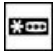







**Hinge position:** Left  
White



**FAB30RBE5**

**Hinge position: Right**  
**Blue**

## Symbols glossary (TT)

-  4 stars freezing compartment for better food preservation.
-  Ventilated: Forced distribution of cold air in the refrigerator compartment, which allows even temperature distribution within the fridge.
-  Life Plus 0°C: The temperature in the Lifeplus compartments is kept at 0°C, which preserves fresh meat and fish longer.
-  Multiflow Cooling System: the Multiflow ventilation system allows an even distribution of cool air around the fridge cabinet.
-  A+++: Appliances with this symbol can reduce energy consumption by a further 30% from the standard A energy rating.
-  LED interior lighting: is a more energy efficient and long lasting way of illuminating the interior of the appliance.
-  Smeg's evolution towards more intelligent and eco-friendly models has led to the choice of Inverter technology, which significantly reduces consumption.
-  Energy efficiency class D