

# FAB30LPG5



<b>Product Family</b>	Refrigerator
<b>Installation</b>	Free standing
<b>Category</b>	Double Door
<b>Reference width</b>	Until 60
<b>Cooling type</b>	Fan assisted refrigerator, static freezer
<b>Defrost</b>	Manual
<b>Hinge type</b>	Standard
<b>Hinge position</b>	Left
<b>EAN code</b>	8017709297695



## Aesthetics

<b>Aesthetic</b>	50's Style	<b>Logo colour</b>	Chrome
<b>Colour</b>	Pastel green	<b>Side material</b>	Steel
<b>Finishing</b>	Glossy	<b>Side colour</b>	Pastel green
<b>Design</b>	Rounded	<b>Logo</b>	Applied
<b>Material</b>	Heat-moulded	<b>Door shelves profile color</b>	Chrome
<b>Handle</b>	External	<b>Drawers profile color</b>	Chrome
<b>Handle type</b>	Fixed	<b>Color of glass shelf profile</b>	Chrome
<b>Handle colour</b>	Chrome	<b>Alternative colours available</b>	Orange, Pastel blue, White, Blue, Black, Cream, Pink, Red, Silver, Pastel green, Lime green

## Refrigerator compartment features



<b>No. of adjustable shelves</b>	2	<b>Type of crisper/vegetable drawers cover</b>	Glass
<b>Number of fruit and vegetables drawers</b>	1	<b>Life Plus zone-0°C</b>	Yes
<b>Type of adjustable shelves</b>	Glass	<b>Internal light in fridge</b>	Yes
<b>Type of crisper/vegetable drawers cover</b>	On sliding rails	<b>Type of internal light (fridge)</b>	LED
<b>Crisper Cover</b>	Yes		

## Refrigerator Inner Door

No. of door shelves with transparent cover	1	No. of bottle shelves	1
Number of adjustable door shelves	2	Bottle shelves with wire support	Yes
Adjustable door shelves with wire support	Yes		

## Other Refrigerator features



MultiFlow

Yes

Fan

Yes

## Freezer compartment features

No. of shelves	1	Type of shelves	Wire
----------------	---	-----------------	------

## Other technical features



Door open alarm

Acoustic and visual

Antibacterial Gasket

Yes

Type of temperature control

Electronic

No. of compressors

1

Refrigerant gas type

R600a

Type of compressor

Inverter

Refrigerant Quantity (gr)

70 g

Foam agent

Cyclopentane

## Performance / Energy Label NEW 2019

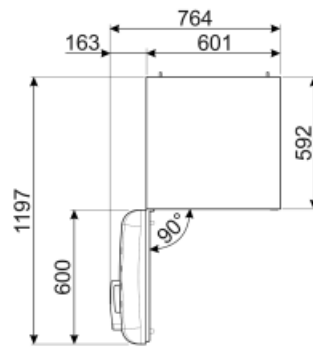
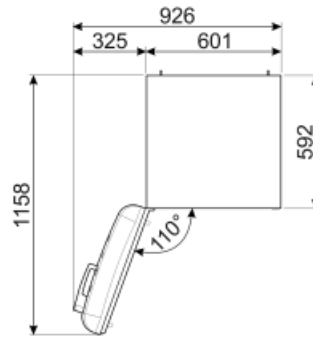
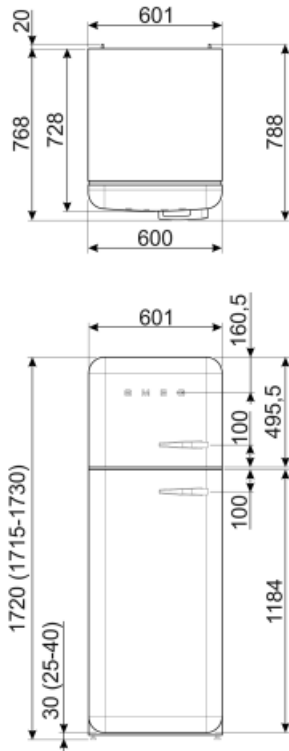


Annual energy consumption	168 kWh/a	Airborne acoustical noise emissions	37 dB(A) re 1pW
Energy efficiency class	D	Temperature Rise Time	30 h
Airborne acoustical noise emission class	C	4 star - Freezing capacity	4 Kg/24h
Total net volume	294 l	Climate class	SN, N, ST, T
Sum of the volumes of the frozen compartment(s)	72 l	EEL	80 %
Sum of the volumes of the chill compartment(s) and the unfrozen compartment(s)	222 l		

## Electrical Connection

**Plug** (F;E) Schuko  
**Electrical connection rating** 100 W  
**Current** 0,8 A

**Voltage (V)** 220-240 V  
**Frequency (Hz)** 50/60 Hz  
**Power supply cable length** 135 cm



## Alternative products



**FAB30LPK5**

**Hinge position:** Left  
Pink



**FAB30RWH5**

**Hinge position:** Right  
White



**FAB30LSV5**

**Hinge position:** Left  
Silver



**FAB30ROR5**

**Hinge position:** Right  
Orange



**FAB30LBL5**

**Hinge position:** Left  
Black



**FAB30RPK5**

**Hinge position:** Right  
Pink



**FAB30RCR5**

**Hinge position:** Right  
Cream



**FAB30RLI5**

**Hinge position:** Right  
Lime green



**FAB30RBL5**

**Hinge position:** Right  
Black



**FAB30LPB5**

**Hinge position:** Left  
Pastel blue



**FAB30RPB5**

**Hinge position:** Right  
Pastel blue



**FAB30LRD5**

**Hinge position:** Left  
Red



**FAB30LOR5**

**Hinge position:** Left  
Orange



**FAB30LCR5**

**Hinge position:** Left  
Cream



**FAB30RRD5**

**Hinge position:** Right  
Red



**FAB30RSV5**

**Hinge position:** Right  
Silver



**FAB30RPG5**

**Hinge position:** Right  
Pastel green



**FAB30LWH5**

**Hinge position:** Left  
White



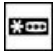








**FAB30RBE5**

**Hinge position: Right**  
**Blue**

---

## Symbols glossary (TT)

---

- |  |  |   |  |
|--|--|---|--|
|  | 4 stars freezing compartment for better food preservation.   |  | Antibacterial treatment: antibacterial treatment to ensure better hygiene  |
|  | Energy efficiency class D  |  | A+++: Appliances with this symbol can reduce energy consumption by a further 30% from the standard A energy rating.                                      |
|  | Ventilated: Forced distribution of cold air in the refrigerator compartment, which allows even temperature distribution within the fridge. |  | LED interior lighting: is a more energy efficient and long lasting way of illuminating the interior of the appliance.                                    |
|  | Life Plus 0°C: The temperature in the Lifeplus compartments is kept at 0°C, which preserves fresh meat and fish longer.                    |  | Smeg's evolution towards more intelligent and eco-friendly models has led to the choice of Inverter technology, which significantly reduces consumption. |
|  | Air plus: keeps food fresher for longer.   |   |  |