

# FAB32UROR3



<b>Product family</b>	Refrigerator
<b>Installation</b>	Free-standing
<b>Category</b>	Bottom mount
<b>No-frost system</b>	Total
<b>Cooling type</b>	No Frost
<b>Defrost</b>	Automatic
<b>Hinge position</b>	Right
<b>EAN code</b>	8017709271992



## Aesthetic

<b>Aesthetics</b>	Retro-style	<b>Logo</b>	Applied
<b>Color</b>	Orange	<b>Door shelf profile color</b>	Chromed
<b>Finishing</b>	Glossy	<b>Drawers profile color</b>	Chromed
<b>Handle color</b>	Chromed	<b>Glass shelf profile color</b>	Chromed
<b>Side material</b>	Steel	<b>Display</b>	7 segment
<b>Side color</b>	Orange		

## Refrigerator compartment features



<b>No. of adjustable shelves</b>	3	<b>Type of crisper cover</b>	Glass
<b>Number of fruit and vegetables drawers</b>	1	<b>LifePlus zone - 32°F</b>	Yes
<b>Type of adjustable shelves</b>	Glass	<b>Refrigerator lighting</b>	Yes
<b>Crisper drawer type</b>	Standard	<b>Refrigerator lighting</b>	LED
<b>Crisper cover</b>	Yes		

## Refrigerator Inner Door

<b>No. of door shelves with transparent cover</b>	1	<b>No. of bottle shelves</b>	1
<b>Number of adjustable door shelves</b>	2	<b>Door bin with wire support</b>	Yes

Adjustable door bins with wire support Yes

## Other Refrigerator features



Accessories  
MultiFlow

Egg tray  
Yes

Fan

Yes

## Freezer features

Number of drawers 2  
No. of compartments with flap 1

Shelf type Plastic

## Other Freezer features



Accessories

1 x ice box

Fast-freezing compartment

Yes

## Other technical features



Display functions

Holiday, Fast-freezing, Fast-cooling, ECO, Temperature alarm

Fast-freezing button

Yes

Power-on light

Yes

Temperature alarm

Yes

Door open alarm

Acoustic and visual

Temperature Alarm

Yes

Temperature setting type

Electronic

No. of compressors

1

Refrigerant gas type

R600a

Compressor type

Inverter

Refrigerant quantity

2.1 oz

Foam agent

Cyclopentane

## Performance / Energy Label NEW

Noise level 37 dB(A) re 1 pW

Freezer capacity 3.99 cu. ft.

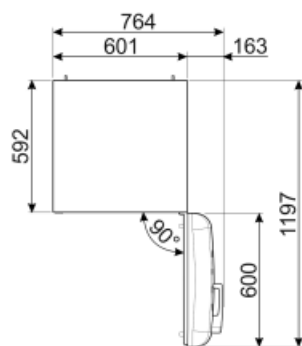
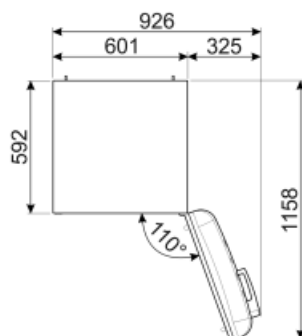
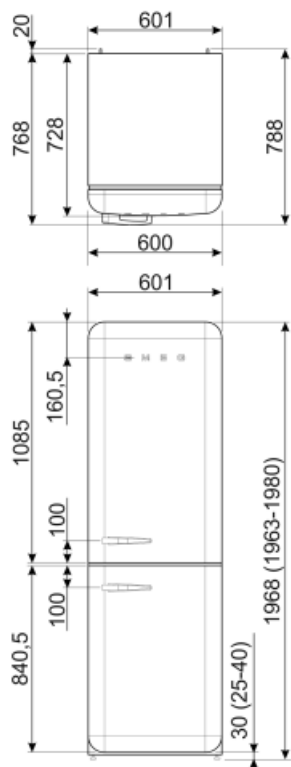
## Electrical Connection

Plug (A) USA & Mexico











Voltage (V) 115 V

Electrical connection rating 127 W  
Current 1,2 A

Frequency (Hz) 50/60 Hz  
Power cord length 70 7/8 "



## Symbols glossary (TT)

- |  |  |   |   |
|--|--|---|---|
|  | The automatic defrost system works by automatically defrosting at regular intervals eliminating the need to defrost altogether.            |  | Economical mode: Analyzes fridge functioning during the activation and optimizes the operating cycle in order to reduce power consumption.  |
|  | Ventilated: Forced distribution of cold air in the refrigerator compartment, which allows even temperature distribution within the fridge. |  | Fast freezing: The fast freezing function brings the temperature of the compartment down when activated a few hours prior to usage.   |
|  | Power saving mode: The power saving mode allows you to disable the refrigerator and keep the freezer working.                              |  | LED interior lighting: is a more energy efficient and long lasting way of illuminating the interior of the appliance.   |
|  | Life Plus 0°C: The temperature in the Lifeplus compartments is kept at 0°C, which preserves fresh meat and fish longer.                    |  | Inverter technology: The evolution of Smeg's driers towards more intelligent and environmentally sustainable models has led to the choice of using Inverter technology with heat pumps, which reduces significantly energy consumption. |
|  | Air plus: keeps food fresher for longer.   |  | No Frost: The No Frost and Frost free systems prevent ice from forming so that no defrosting is required.   |